

# .075 Centerline

# Contents

## *Series*

### *075 P.C. Board & Cable Connectors*

#### Page

|     |  |
|-----|--|
| A1  | Specifications   |
| A2  | Performance  |
|     | <b>2 Row Connectors</b>  |
| A3  | Straight and Right Angle Receptacle <b>AAD,ACD / ACT,ACV,ACN</b> 10 thru 100 positions   |
| A4  | Straight Plug <b>AAF &amp; ACF</b> 10 thru 100 positions   |
| A5  | Right Angle Plug <b>AAE,ABA,ACE</b> , 10 thru 100 positions  |
| A6  | 2 Row Contact Codes  |
| A7  | 2 and 3 Row Hardware Codes   |
| A8  | 2, 3, and 4 Row Hardware Polarization Codes  |
|     | <b>3 Row Connectors</b>  |
| A9  | Straight Plug or Receptacle <b>AAC,ACC,AAA,ACA</b> 11, 23, 35, 47, 59, 71, 80, 122, 152, & 206 positions<br>Right Angle Receptacle <b>ACP, ACM</b> 11, 23, 35, 47, 59, 71, 80, 122, 152, & 206 positions |
| A10 | Right Angle Receptacle, Low Profile <b>ABM</b> , 122 position  |
| A11 | Right Angle Plug <b>AAB &amp; ACB</b> , 59, 80, 122, 152, & 206 positions  |
| A12 | Straight Plug/Receptacle, Crimp Removable <b>AKA,AKE</b> 23 position   |
| A13 | 3 Row Contact Codes<br>3 Row Hardware Codes see pages 7 & 8  |
|     | <b>4 Row Connectors</b>  |
| A14 | Straight Receptacle <b>AAL</b> , 86, 110, 250 positions  |
| A15 | Straight Receptacle <b>AAL</b> , 164, 196, 204, 220, 276, 300, 404 positions   |
| A16 | Straight Plug <b>ACX</b> , 86, 110, 250 positions  |
| A17 | Straight Plug <b>ACX</b> , 164, 196, 204, 220, 276, 300, 404 positions   |
| A18 | Right Angle Plug <b>ACW</b> , 86, 110, 250 positions   |
| A19 | Right Angle Plug <b>ACW</b> , 164, 196, 204, 220, 276, 300, 404 positions  |
| A20 | Right Angle Plug w/o Mounting Tabs <b>ACY</b> , 86, 110, 250 positions   |
| A21 | Right Angle Plug w/o Mounting Tabs <b>ACY</b> , 164, 196, 204, 220, 276, 300, 404 positions  |
| A22 | 4 Row <b>AAL, ACW, ACX &amp; ACY</b> Contact Codes   |
| A23 | 4 Row <b>AAL, ACW, ACX &amp; ACY</b> Hardware Codes  |
| A24 | 4 Row <b>AAL, ACW &amp; ACX</b> Polarized Hardware Codes   |

# Contents

## *Series*

### *075 P.C. Board & Cable Connectors*

#### Page

|     |  |
|-----|--|
| A25 | Straight Plug or Receptacle <b>AAH,ACH,AAK,ACK</b> 210 positions |
| A26 | Right Angle Plug <b>AAJ &amp; ACJ</b> , 210 positions            |
| A27 | Right Angle Receptacle <b>ACL</b> , 210 positions                |
| A28 | Right Angle Receptacle <b>ACU</b> , 210 positions                |
| A29 | 4 Row <b>AAH, ACH, AAK, ACK, AAJ, ACJ</b> Contact Codes          |
| A30 | 4 Row <b>AAH, ACH, AAK, ACK, AAJ, ACJ</b> Hardware Codes         |
| A31 | 3 and 4 Row Interfacial Silicone Rubber Gaskets                  |
| A32 | Variation Codes  |
| A33 | MIL-DTL-55302 Cross Reference                                    |

# Specifications

"F" Series .075"  $\phi$

## Material and Finish

|                             |   |
|-----------------------------|---|
| <b>Molded Insulator:</b>    | <i>Glass Filled Polyphenylene Sulfide, Per MIL-DTL-55302.</i>   |
| <b>Pin Contacts:</b>        | <i>Copper Alloy per MIL-DTL-55302.</i>  |
| <b>Socket Contacts:</b>     |   |
| Contacts:                   | <i>Be Cu per MIL-DTL-55302.</i>   |
| Terminal:                   | <i>Copper Alloy per MIL-DTL-55302.</i>  |
| <b>Contact Finish:</b>      | <i>Gold Plate per MIL-DTL-55302<br/>Localized finish per MIL-DTL-55302.</i>   |
| <b>Hardware:</b>            | <i>Stainless Steel per ASTM-A581 or A582. Passivated per SAE-AMS-2700</i>   |
| Guide Sockets,<br>Polarized | <i>Be Cu per ASTM-B196 or B197.<br/>Nickel Plated per MIL-DTL-55302</i>   |
| Gasket                      | <i>Silicone Rubber per A-A-59588.</i>   |
| <b>Tolerance:</b>           | <i>Decimals <math>\pm .010</math>, Angles <math>\pm 5^\circ</math> unless otherwise specified.</i>  |
| <b>Connector Marking:</b>   | <i>Marking shall meet the requirements of MIL-STD-1285 and MIL-STD-202 method 215 for permanency. Pin numbers indicating every fourth position are marked on the side of the connector.</i> |

# Performance

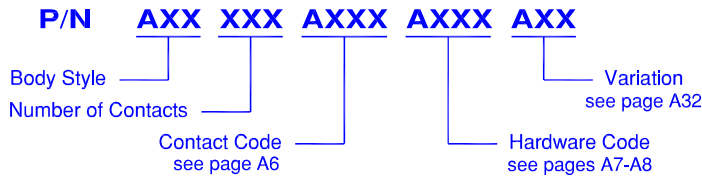
## "F" Series .075" $\phi$

|                        |   |
|------------------------|---|
| <b>Wire Size:</b>      | #24 AWG Stranded  |
| <b>Contact Rating:</b> | 3 ampere maximum per contact                                  |
| <b>Solderability:</b>  | Pretinning meets the requirements of MIL-STD-202, Method 208. |
| <b>Operating Temp:</b> | -65° to +125°C<br>-85° to +257°F                              |

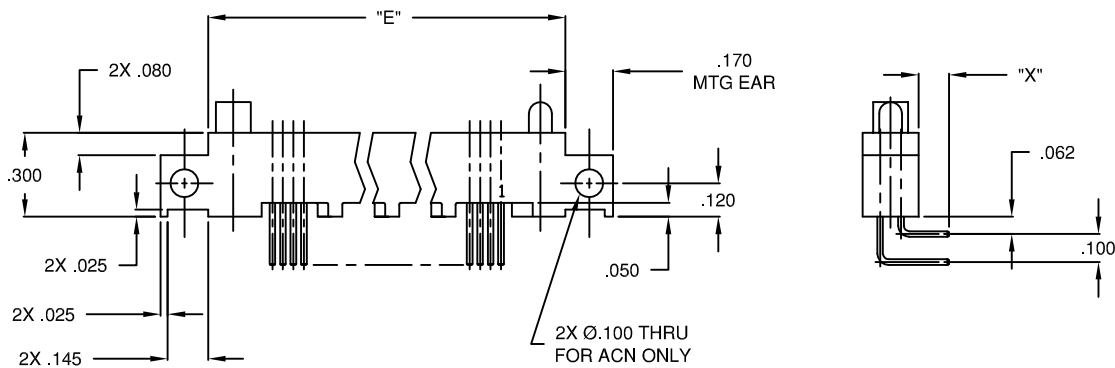
| <u>Test</u>                             | <u>Requirements</u>   | <u>Test Method per MIL-DTL-55302</u> |
|---|---|--------------------------------------|
| <b>Contact Resistance</b>               | Will not exceed .015 ohms on individual contact pair with average not to exceed .007 ohms             | EIA364.6                             |
| <b>Dielectric Withstanding</b>          | 750 vrms, 60 Hz @ sea level<br>250 vrms, 60 Hz @ 70,000 feet<br><b>250 vrms, 60 Hz @ 100,000 feet</b> | EIA364.20                            |
| <b>Insulation Resistance</b>            | 5000 megohms minimum @ 500 VDC  | EIA/ECA364.21                        |
| <b>Durability</b>                       | 500 connector mating cycles   | MIL-DTL-55302<br>para. 4.5.9         |
| <b>Temperature Cycling</b>              | 5 (1) hr cycles; -65° to +125°C   | EIA364.32                            |
| <b>Vibration</b>                        | 10-2000 Hz, 15G Peak  | EIA364.28                            |
| <b>Salt Spray</b>                       | 5% salt spray @ 95°F for 48 hours   | EIA/ECA364.26                        |
| <b>Shock</b>                            | 100G sawtooth, 6ms  | EIA364.27                            |
| <b>Humidity</b>                         | 10 days @ 25° to 65°C,<br>80-98% RH   | EIA364.31                            |
| <b>Contact Engagement<br/>Low Force</b> | 4 oz. Maximum with a .0255 dia<br>pin per SAE-AS31971   | EIA364.37 &<br>MIL-DTL-55302         |
| <b>Contact Separation<br/>Low Force</b> | .5 oz. Minimum with a .0245 dia<br>pin per SAE-AS31971  | EIA364.37 &<br>MIL-DTL-55302         |

# .075 SERIES 2 ROW STRAIGHT & RIGHT ANGLE RECEPTACLES

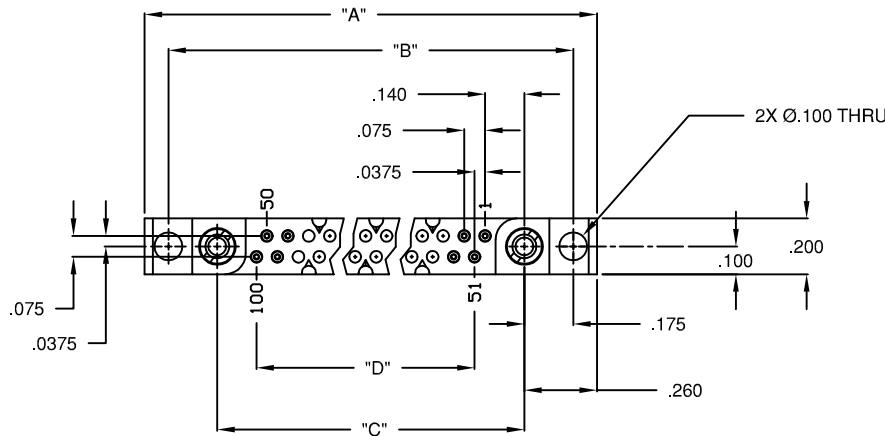
M55302 / 190



| No. of Cnt's | Dimensions |       |       |       |       |
|--------------|------------|-------|-------|-------|-------|
|              | "A"        | "B"   | "C"   | "D"   | "E"   |
| 010          | 1.138      | .968  | .618  | .300  | .798  |
| 020          | 1.513      | 1.343 | .993  | .675  | 1.173 |
| 030          | 1.888      | 1.718 | 1.368 | 1.050 | 1.548 |
| 034          | 2.038      | 1.868 | 1.518 | 1.200 | 1.698 |
| 040          | 2.263      | 2.093 | 1.743 | 1.425 | 1.923 |
| 044          | 2.413      | 2.243 | 1.893 | 1.575 | 2.073 |
| 050          | 2.638      | 2.468 | 2.118 | 1.800 | 2.298 |
| 060          | 3.013      | 2.843 | 2.493 | 2.175 | 2.673 |
| 070          | 3.388      | 3.218 | 2.868 | 2.550 | 3.048 |
| 080          | 3.763      | 3.593 | 3.243 | 2.925 | 3.423 |
| 090          | 4.138      | 3.968 | 3.618 | 3.300 | 3.798 |
| 100          | 4.513      | 4.343 | 3.993 | 3.675 | 4.173 |



ACT & ACV  
CARD EXTENDER

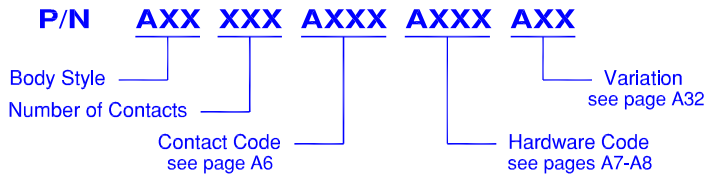


MATING CONNECTORS:

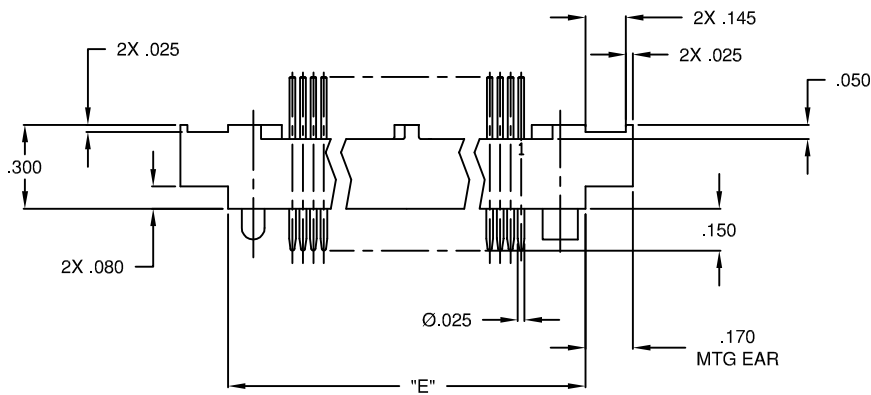
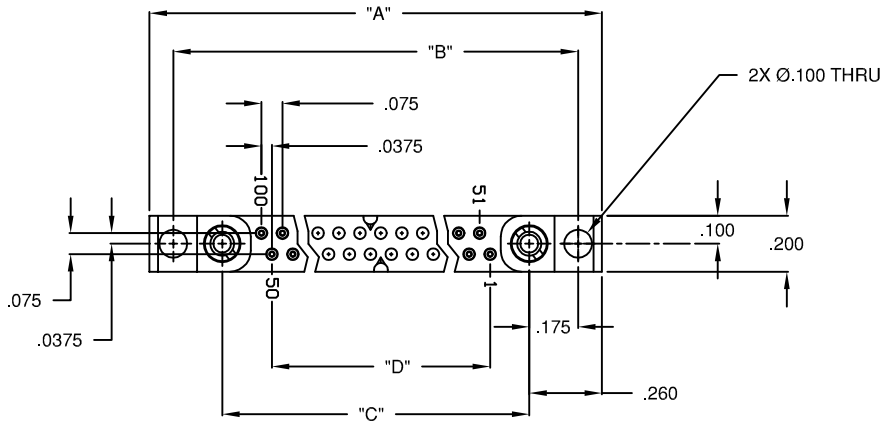
|                           |
|---------------------------|
| AAE, AAF, ACE<br>ACF, ABA |
|---------------------------|

- AAD - AS SHOWN **WITH** MTG EARS
- ACD - **WITHOUT** MTG EARS
- ACT - RIGHT ANGLE **WITH** MTG EARS
- ACV - RIGHT ANGLE **WITHOUT** MTG EARS
- ACN - RIGHT ANGLE **WITH** RIGHT MTG HOLES

# .075 SERIES 2 ROW STRAIGHT PLUG



| Dimensions   |       |       |       |       |       |
|--------------|-------|-------|-------|-------|-------|
| No. of Cnt's | "A"   | "B"   | "C"   | "D"   | "E"   |
| 010          | 1.138 | .968  | .618  | .300  | .798  |
| 020          | 1.513 | 1.343 | .993  | .675  | 1.173 |
| 030          | 1.888 | 1.718 | 1.368 | 1.050 | 1.548 |
| 034          | 2.038 | 1.868 | 1.518 | 1.200 | 1.698 |
| 040          | 2.263 | 2.093 | 1.743 | 1.425 | 1.923 |
| 044          | 2.413 | 2.243 | 1.893 | 1.575 | 2.073 |
| 050          | 2.638 | 2.468 | 2.118 | 1.800 | 2.298 |
| 060          | 3.013 | 2.843 | 2.493 | 2.175 | 2.673 |
| 070          | 3.388 | 3.218 | 2.868 | 2.550 | 3.048 |
| 080          | 3.763 | 3.593 | 3.243 | 2.925 | 3.423 |
| 090          | 4.138 | 3.968 | 3.618 | 3.300 | 3.798 |
| 100          | 4.513 | 4.343 | 3.993 | 3.675 | 4.173 |



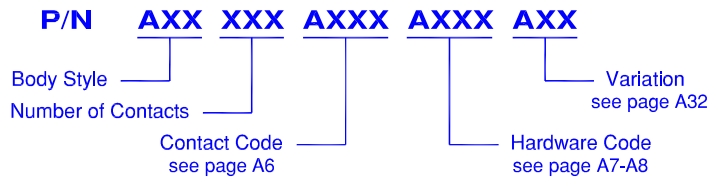
AAF - AS SHOWN WITH MTG EARS  
 ACF - WITHOUT MTG EARS

**MATING CONNECTORS:**

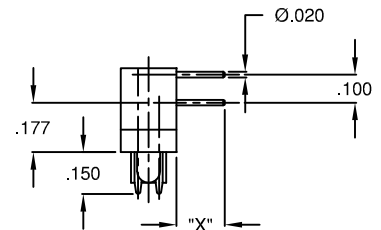
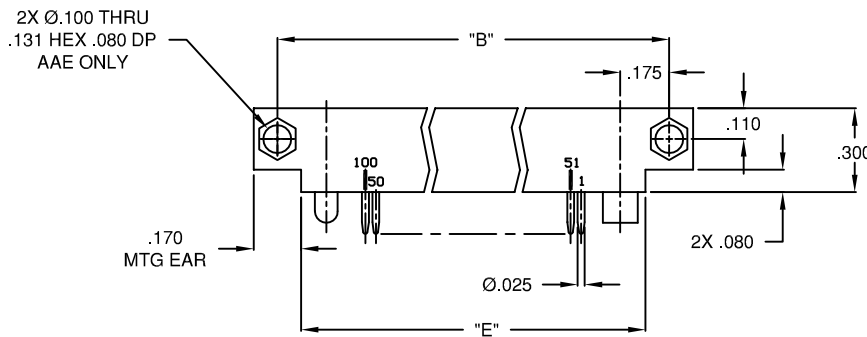
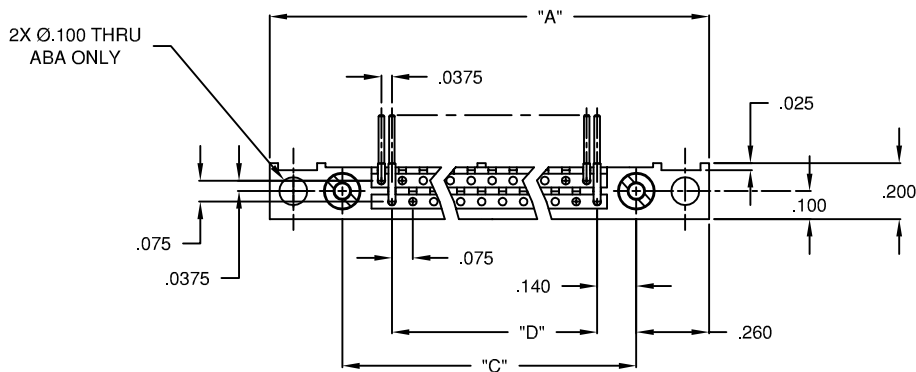
- AA
- ACD
- ACT
- ACV

# .075 SERIES 2 ROW RIGHT ANGLE PLUG

M55302 / 191



| No. of Cnt's | Dimensions |       |       |       |       |
|--------------|------------|-------|-------|-------|-------|
|              | "A"        | "B"   | "C"   | "D"   | "E"   |
| 010          | 1.138      | .968  | .618  | .300  | .798  |
| 020          | 1.513      | 1.343 | .993  | .675  | 1.173 |
| 030          | 1.888      | 1.718 | 1.368 | 1.050 | 1.548 |
| 034          | 2.038      | 1.868 | 1.518 | 1.200 | 1.698 |
| 040          | 2.263      | 2.093 | 1.743 | 1.425 | 1.923 |
| 044          | 2.413      | 2.243 | 1.893 | 1.575 | 2.073 |
| 050          | 2.638      | 2.468 | 2.118 | 1.800 | 2.298 |
| 060          | 3.013      | 2.843 | 2.493 | 2.175 | 2.673 |
| 070          | 3.388      | 3.218 | 2.868 | 2.550 | 3.048 |
| 080          | 3.763      | 3.593 | 3.243 | 2.925 | 3.423 |
| 090          | 4.138      | 3.968 | 3.618 | 3.300 | 3.798 |
| 100          | 4.513      | 4.343 | 3.993 | 3.675 | 4.173 |



**MATING CONNECTORS:**

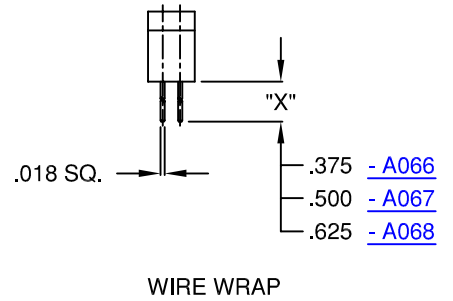
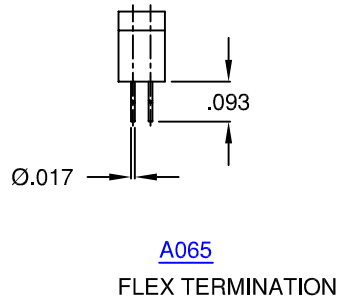
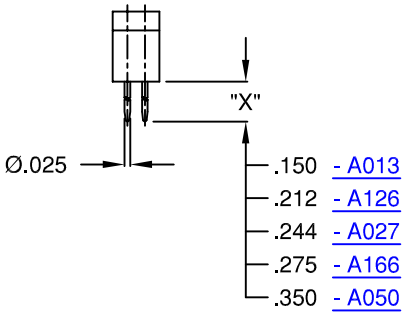
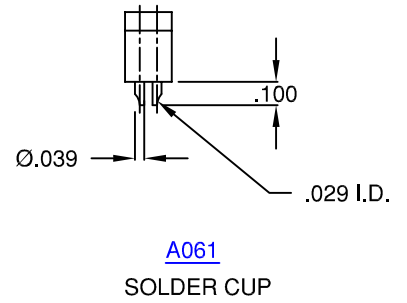
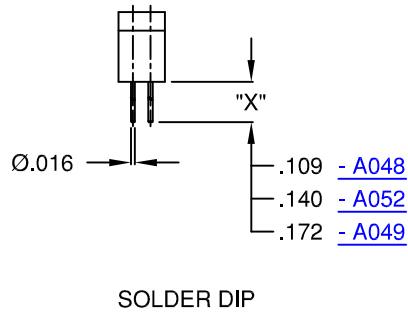
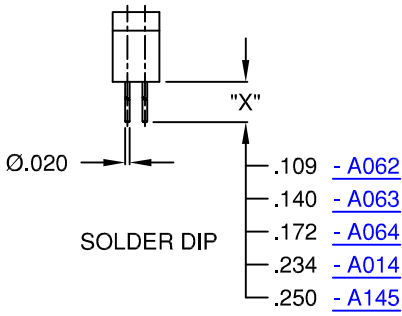
- AAD
- ACD
- ACT
- ACV

AAE - AS SHOWN WITH MTG EARS  
 ABA - SAME AS AAE EXCEPT W/ VERTICAL MTG HOLES  
 ACE - WITHOUT MTG EARS

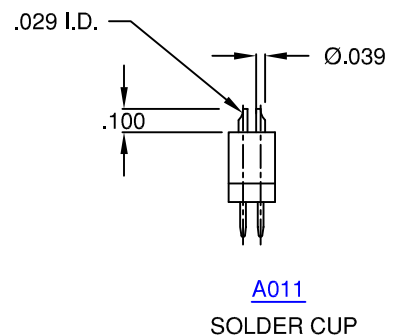
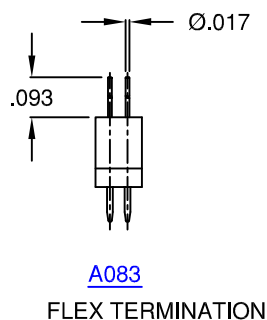
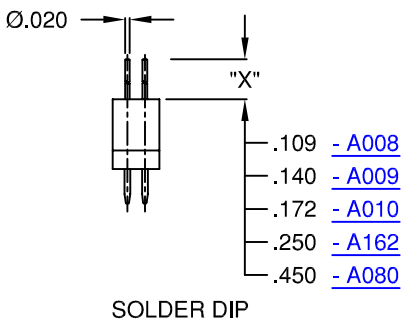
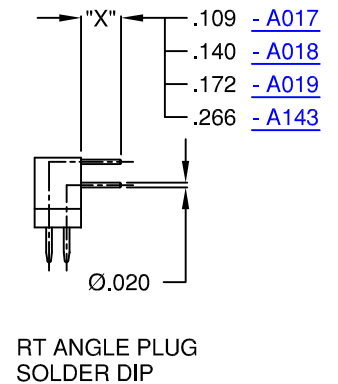
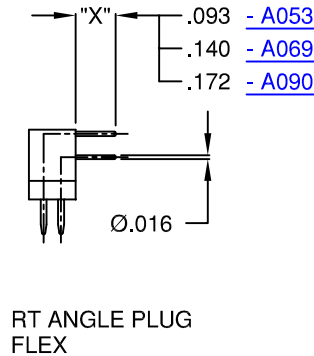
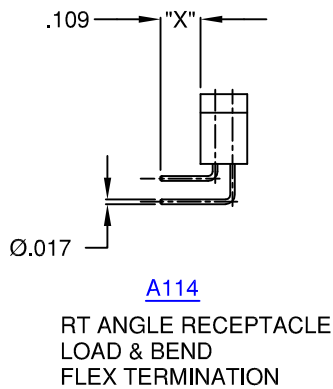
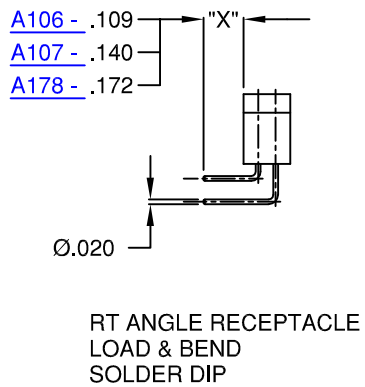


# .075 SERIES 2 ROW CONTACT CODES

## RECEPTACLE



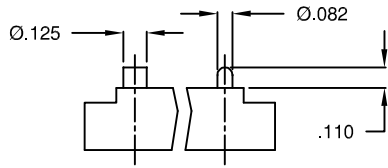
## PLUG



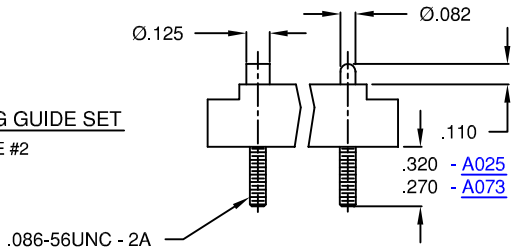
# .075 SERIES 2 & 3 ROW HARDWARE CODES

## GUIDE SETS

**A003** - GUIDE SET  
FIGURE #1

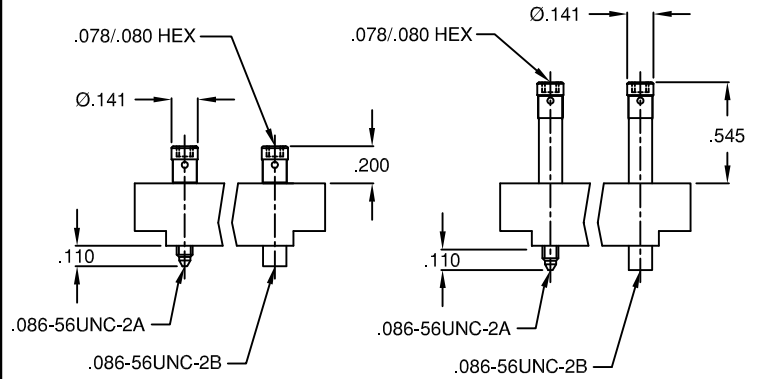


**A025** - LONG GUIDE SET  
**A073** FIGURE #2



| CODE | MIL CODE | FIG NO. | HARDWARE DESCRIPTION | MIL APPROVED |
|------|----------|---------|----------------------|--------------|
| A000 |          |         | NO HARDWARE          |              |
| A003 | X        | 1       | GUIDE SET            | YES          |
| A024 |          | 1       | GUIDE SET REVERSED   | NO           |
| A025 |          | 2       | LONG GUIDE SET       | NO           |
| A029 |          | 1       | TWO GUIDE PINS       | NO           |
| A030 |          | 1       | TWO GUIDE SOCKETS    | NO           |
| A073 |          | 2       | LONG GUIDE SOCKETS   | NO           |

## TURNING HEX JACKSETS

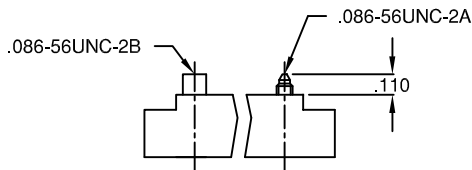


**A009** - SHORT TURNING  
HEX JACKSET  
FIGURE #1

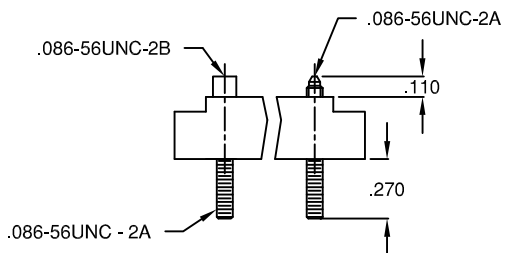
**A014** - TURNING HEX JACKSET  
FIGURE #2

| CODE | MIL CODE | FIG NO. | HARDWARE DESCRIPTION             | KNOB LENGTH | MIL APPD |
|------|----------|---------|----------------------------------|-------------|----------|
| A000 |          |         | NO HARDWARE                      |             |          |
| A009 | S        | 1       | SHORT TURNING HEX JACKSET        | .200        | YES      |
| A012 |          |         | SHORT TURNING JACKSET, REVERSED  | .200        | NO       |
| A014 | N        | 2       | TURNING HEX JACKSET              | .545        | YES      |
| A015 |          |         | TURNING HEX JACKSET, REVERSED    | .545        | NO       |
| A032 |          |         | SHORT TURNING HEX JACKSCREWS (2) | .200        | NO       |

## FIXED JACKSETS



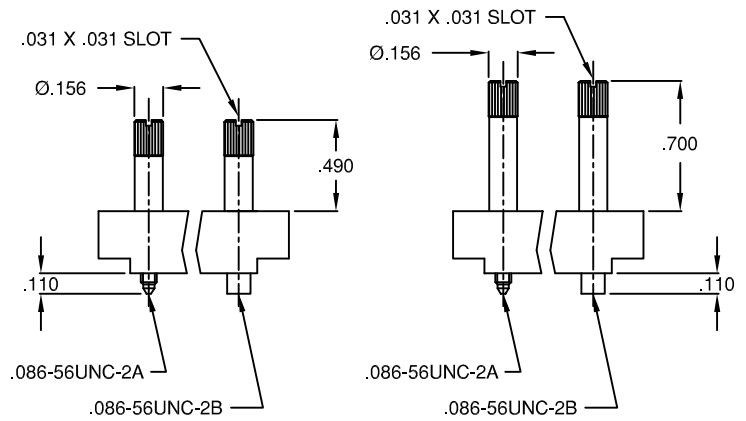
**A010** - FIXED JACKSET  
FIGURE #1



**A065** - FIXED JACKSET, LONG  
FIGURE #2

| CODE | MIL CODE | FIG NO. | HARDWARE DESCRIPTION   | MIL APPROVED |
|------|----------|---------|------------------------|--------------|
| A000 |          |         | NO HARDWARE            |              |
| A002 |          | 1       | FIXED JACKSET REVERSED | NO           |
| A010 | F        | 1       | FIXED JACKSET          | YES          |
| A023 |          | 1       | TWO FIXED JACKSOCKETS  | NO           |
| A040 |          | 1       | TWO FIXED JACKSCREWS   | NO           |
| A065 |          | 2       | FIXED JACKSET, LONG    | NO           |

## SLOTTED TURNING JACKSETS

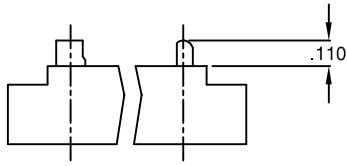


**A001** - TURNING SLOTTED  
JACKSET  
FIGURE #1

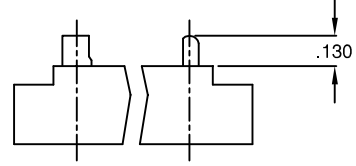
**A011** - TURNING SLOTTED  
JACKSET  
FIGURE #2

| CODE | MIL CODE | FIG NO. | HARDWARE DESCRIPTION              | KNOB LENGTH | MIL APPD |
|------|----------|---------|-----------------------------------|-------------|----------|
| A000 |          |         | NO HARDWARE                       |             |          |
| A001 | M        | 1       | TURNING SLOTTED JACKSET           | .490        |          |
| A007 |          | 2       | TURNING SLOTTED JACKSET, REVERSED | .700        |          |
| A011 | L        | 2       | TURNING SLOTTED JACKSET           | .700        |          |
| A013 |          | 1       | TURNING SLOTTED JACKSET, REVERSED | .490        |          |
| A034 |          | 1       | TURNING SLOTTED JACKSOCKETS (2)   | .490        |          |
| A038 |          | 1       | TURNING SLOTTED JACKSCREWS (2)    | .490        |          |

# .075 SERIES HARDWARE POLARIZATION CODES



2 / 3 ROW POLARIZATION CODE



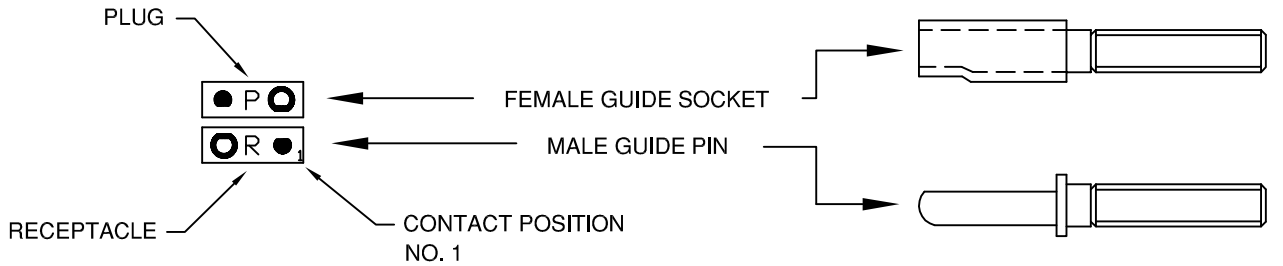
4 ROW POLARIZATION CODE  
AAH, ACH, AAK, ACK, AAJ, ACJ only

**P2XX** - GUIDE SET POLARIZED FOR PLUG  
**R2XX** - GUIDE SET POLARIZED FOR RECEPTACLE

SEE POLARIZATION CONFIGURATION CHART BELOW FOR POLARIZATION CODE

**P1XX** - GUIDE SET POLARIZED FOR PLUG  
**R1XX** - GUIDE SET POLARIZED FOR RECEPTACLE

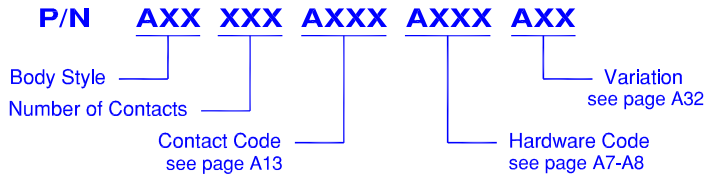
SEE POLARIZATION CONFIGURATION CHART BELOW FOR POLARIZATION CODE



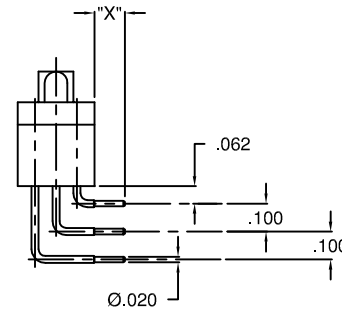
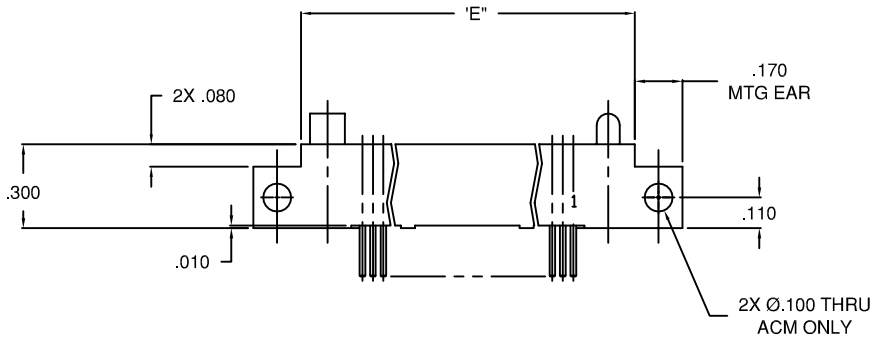
|    |    |    |    |    |    |    |    |
|----|----|----|----|----|----|----|----|
| 01 | 09 | 17 | 25 | 33 | 41 | 49 | 57 |
| 02 | 10 | 18 | 26 | 34 | 42 | 50 | 58 |
| 03 | 11 | 19 | 27 | 35 | 43 | 51 | 59 |
| 04 | 12 | 20 | 28 | 36 | 44 | 52 | 60 |
| 05 | 13 | 21 | 29 | 37 | 45 | 53 | 61 |
| 06 | 14 | 22 | 30 | 38 | 46 | 54 | 62 |
| 07 | 15 | 23 | 31 | 39 | 47 | 55 | 63 |
| 08 | 16 | 24 | 32 | 40 | 48 | 56 | 64 |

# .075 SERIES 3 ROW STRAIGHT PLUG / RECEPTACLE AND RIGHT ANGLE RECEPTACLE

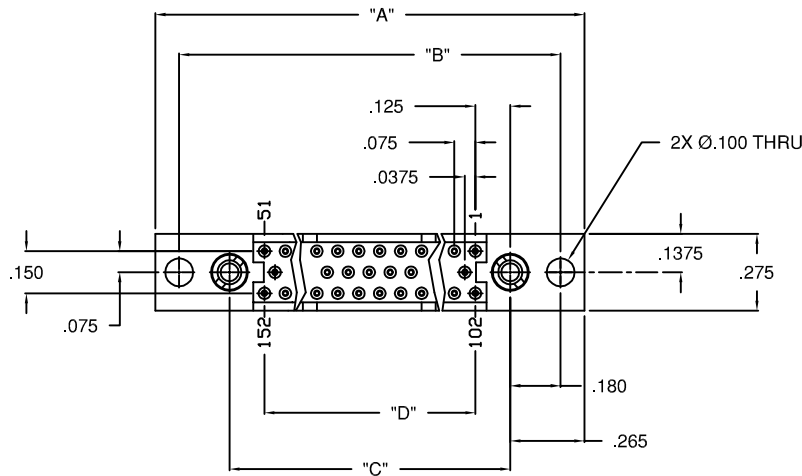
M55302 / 192



| No. of Cnt's | Dimensions |       |       |       |       |
|--------------|------------|-------|-------|-------|-------|
|              | "A"        | "B"   | "C"   | "D"   | "E"   |
| 011          | 1.005      | .835  | .475  | .225  | .665  |
| 023          | 1.305      | 1.135 | .775  | .525  | .965  |
| 035          | 1.605      | 1.435 | 1.075 | .825  | 1.265 |
| 047          | 1.905      | 1.735 | 1.375 | 1.125 | 1.565 |
| 059          | 2.205      | 2.035 | 1.675 | 1.425 | 1.865 |
| 071          | 2.505      | 2.335 | 1.975 | 1.725 | 2.165 |
| 080          | 2.730      | 2.560 | 2.200 | 1.950 | 2.390 |
| 122          | 3.780      | 3.610 | 3.250 | 3.000 | 3.440 |
| 152          | 4.530      | 4.360 | 4.000 | 3.750 | 4.190 |
| 206          | 5.880      | 5.710 | 5.350 | 5.100 | 5.540 |



## ACP/ACM CARD EXTENDER



- RECEPTACLE | AAA - AS SHOWN **WITH** MTG EARS  
ACA - **WITHOUT** MTG EARS
- PLUG | AAC - **WITH** MTG EARS  
ACC - **WITHOUT** MTG EARS
- RIGHT ANGLE RECEPTACLE | ACP - **WITH** MTG EARS  
ACM - **WITH** RIGHT MTG HOLES

### MATING CONNECTORS:

AAC, ACC  
AAB, ACB

AAA, ACA  
ACP, ABM

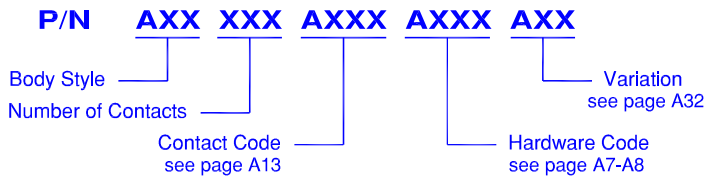
AAC, ACC  
AAB, ACB

\*Receptacle Image Pin Marking Shown\*

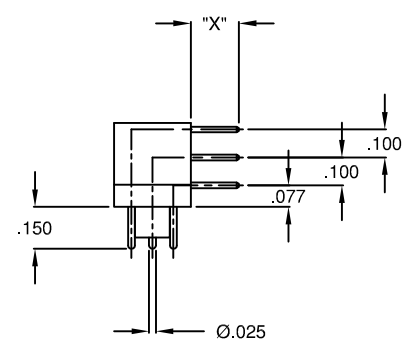
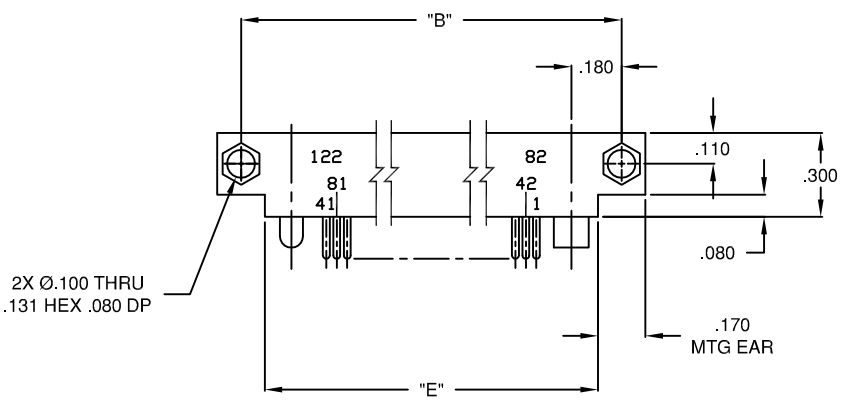
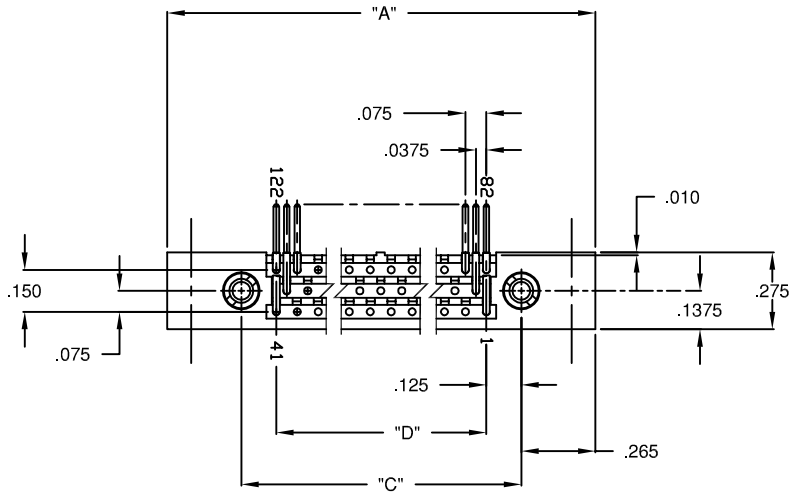


# .075 SERIES 3 ROW RIGHT ANGLE PLUG

M55302 / 193



| No. of Cnt's | Dimensions |       |       |       |       |
|--------------|------------|-------|-------|-------|-------|
|              | "A"        | "B"   | "C"   | "D"   | "E"   |
| 011          | 1.005      | .835  | .475  | .225  | .665  |
| 023          | 1.305      | 1.135 | .775  | .525  | .965  |
| 035          | 1.605      | 1.435 | 1.075 | .825  | 1.265 |
| 047          | 1.905      | 1.735 | 1.375 | 1.125 | 1.565 |
| 059          | 2.205      | 2.035 | 1.675 | 1.425 | 1.865 |
| 071          | 2.505      | 2.335 | 1.975 | 1.725 | 2.165 |
| 080          | 2.730      | 2.560 | 2.200 | 1.950 | 2.390 |
| 122          | 3.780      | 3.610 | 3.250 | 3.000 | 3.440 |
| 152          | 4.530      | 4.360 | 4.000 | 3.750 | 4.190 |
| 206          | 5.880      | 5.710 | 5.350 | 5.100 | 5.540 |



AAB - AS SHOWN WITH MTG EARS  
 ACB - WITHOUT MTG EARS

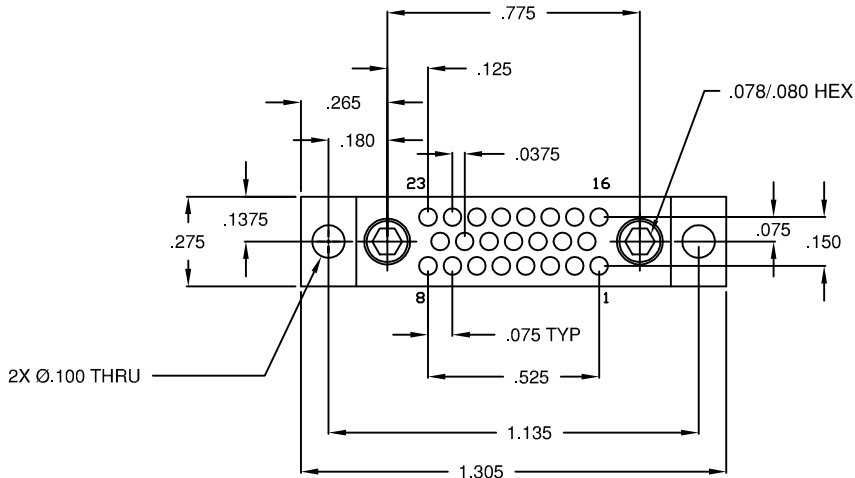
MATING CONNECTORS:

|                      |
|----------------------|
| AAA, ACA<br>ACP, ABM |
|----------------------|

# .075 SERIES 3 ROW STRAIGHT PLUG or RECEPTACLE CRIMP REMOVABLE, #24 AWG

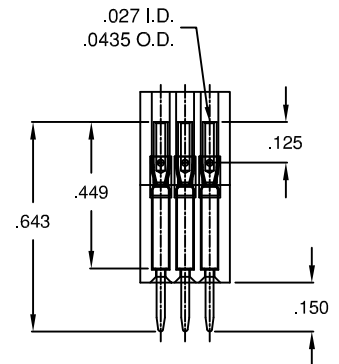
**P/N    AKX 023 X    ASH A00**

Body Style ——— AKX  
 Number of Contacts ——— 023  
 Contact Code ——— X  
 Variation see page A32 ——— ASH  
 Hardware Code ——— A00

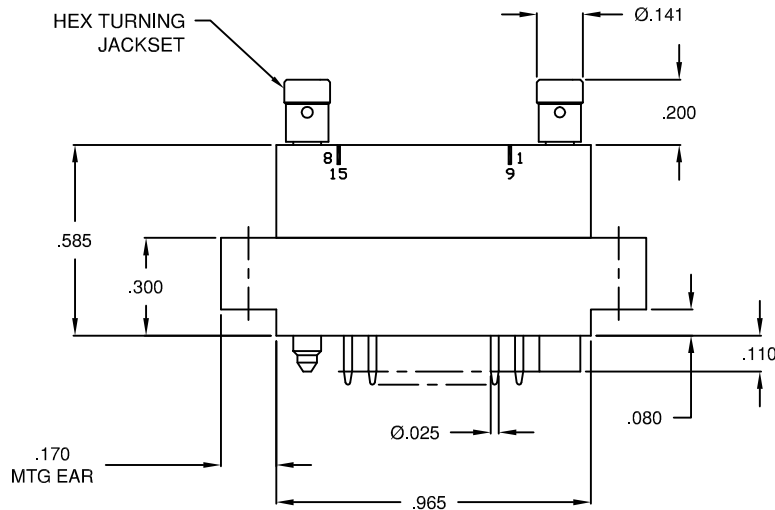
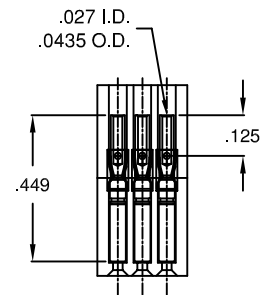


### CONTACT CODES:

**P**  
PIN CONTACT



**S**  
SOCKET CONTACT



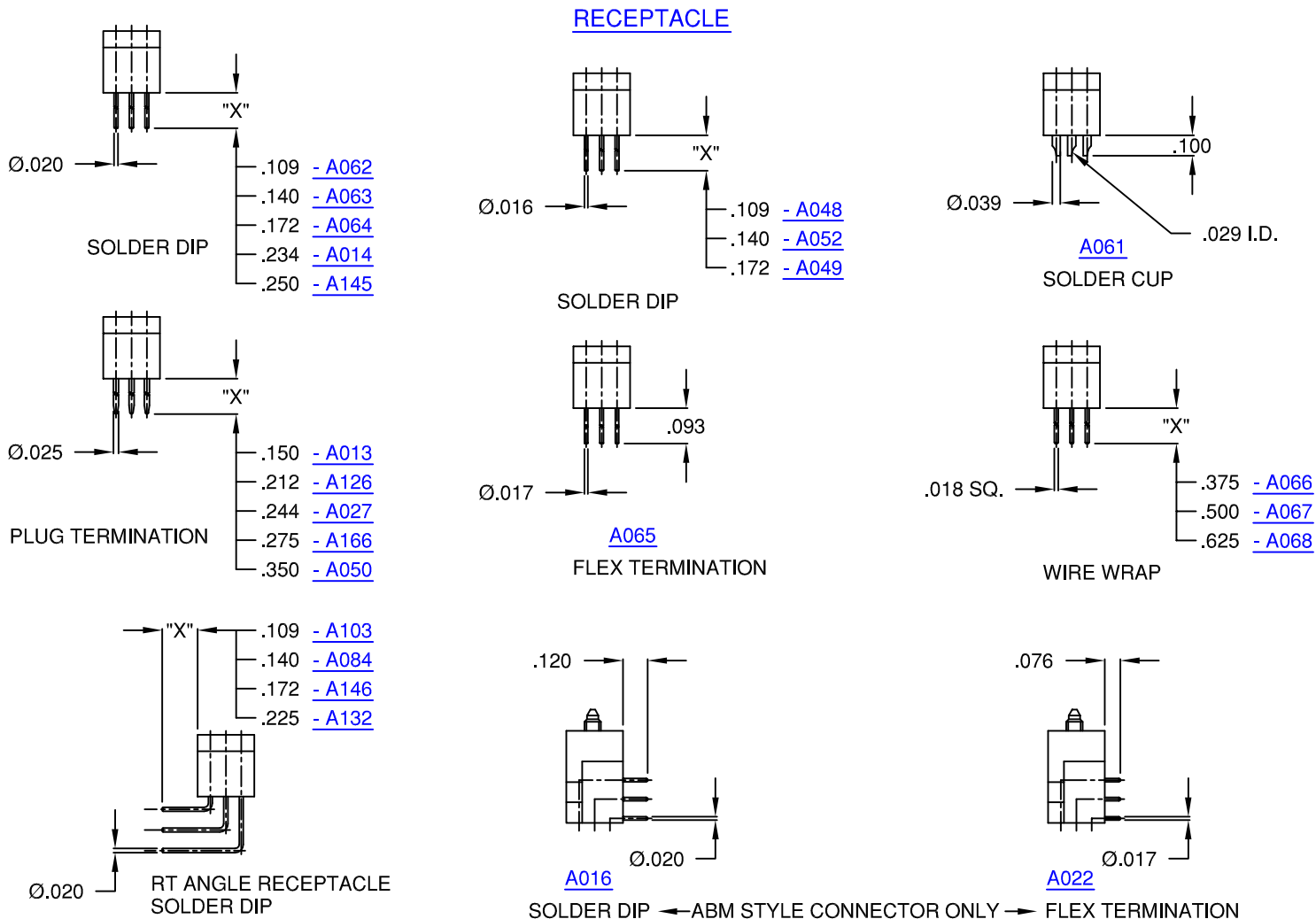
### MATING CONNECTORS:

|          |
|----------|
| AAA, ACA |
| ACP, ABM |

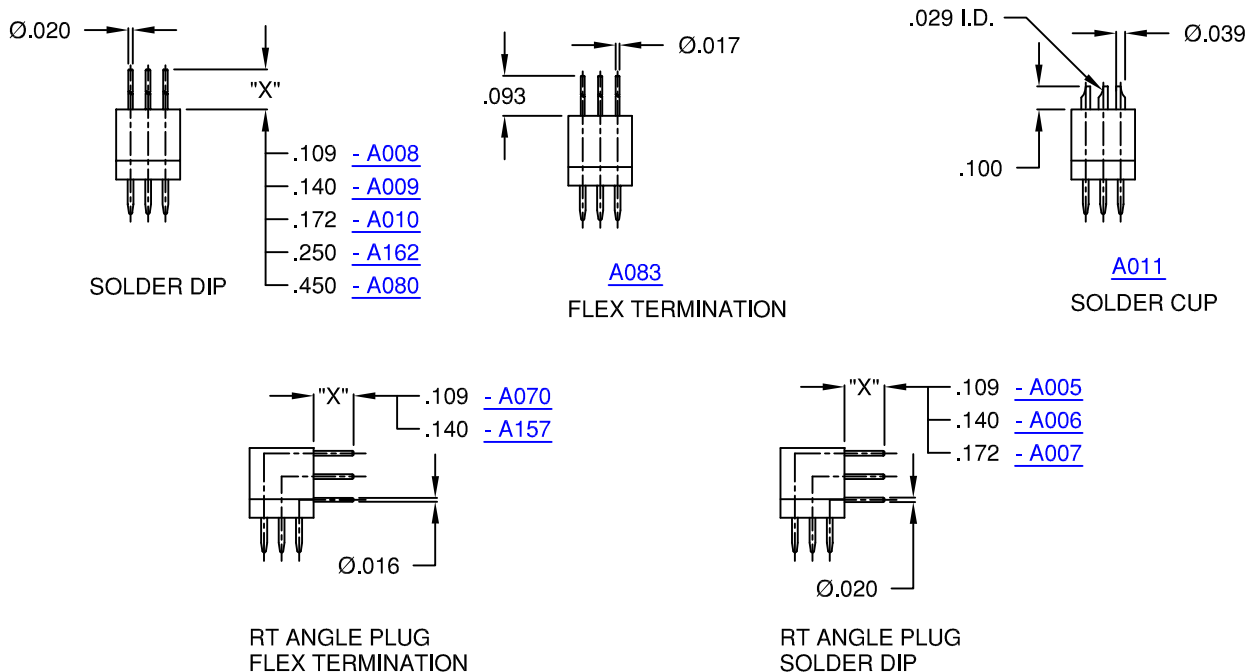
**AKE - AS SHOWN WITH MTG EARS**  
**AKA - WITHOUT MTG EARS**

\*Call for Crimp Tooling/Accessories  
 \*Plug Image Pin Marking Shown

# .075 SERIES 3 ROW CONTACT CODES

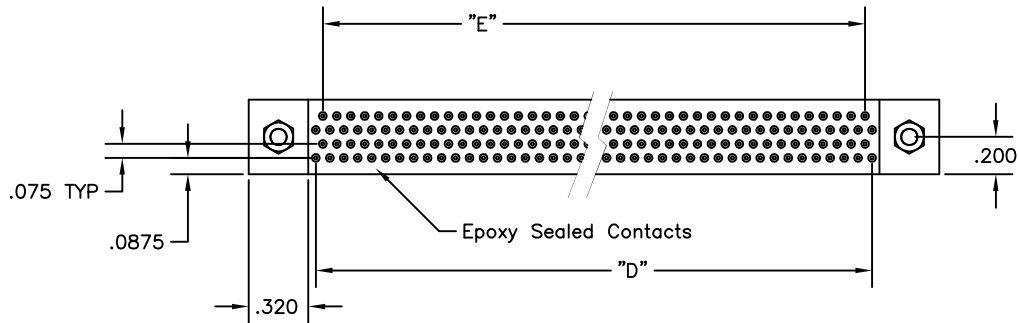
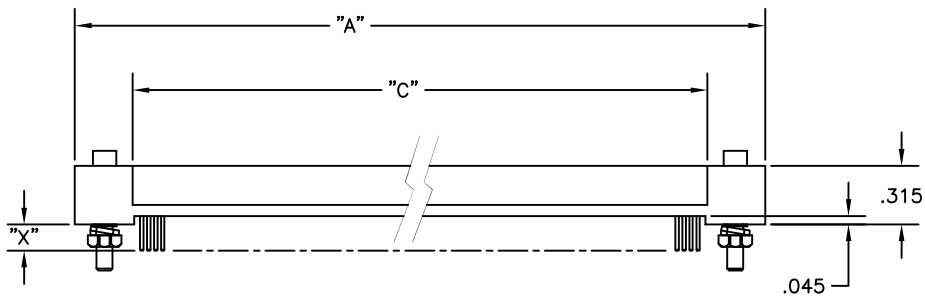
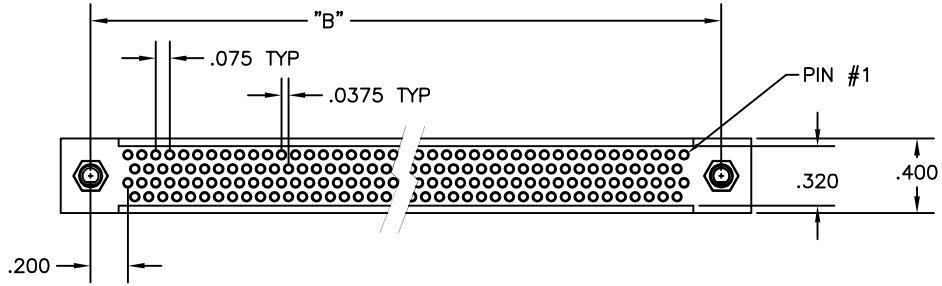
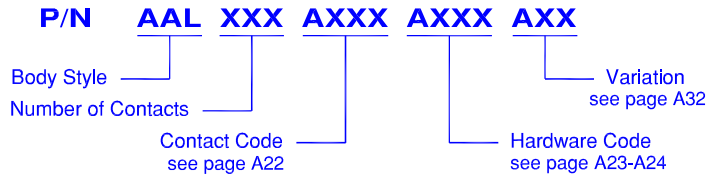


## PLUG





# .075 SERIES 4 ROW STRAIGHT RECEPTACLE



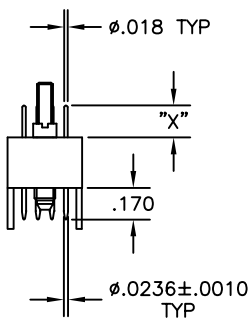
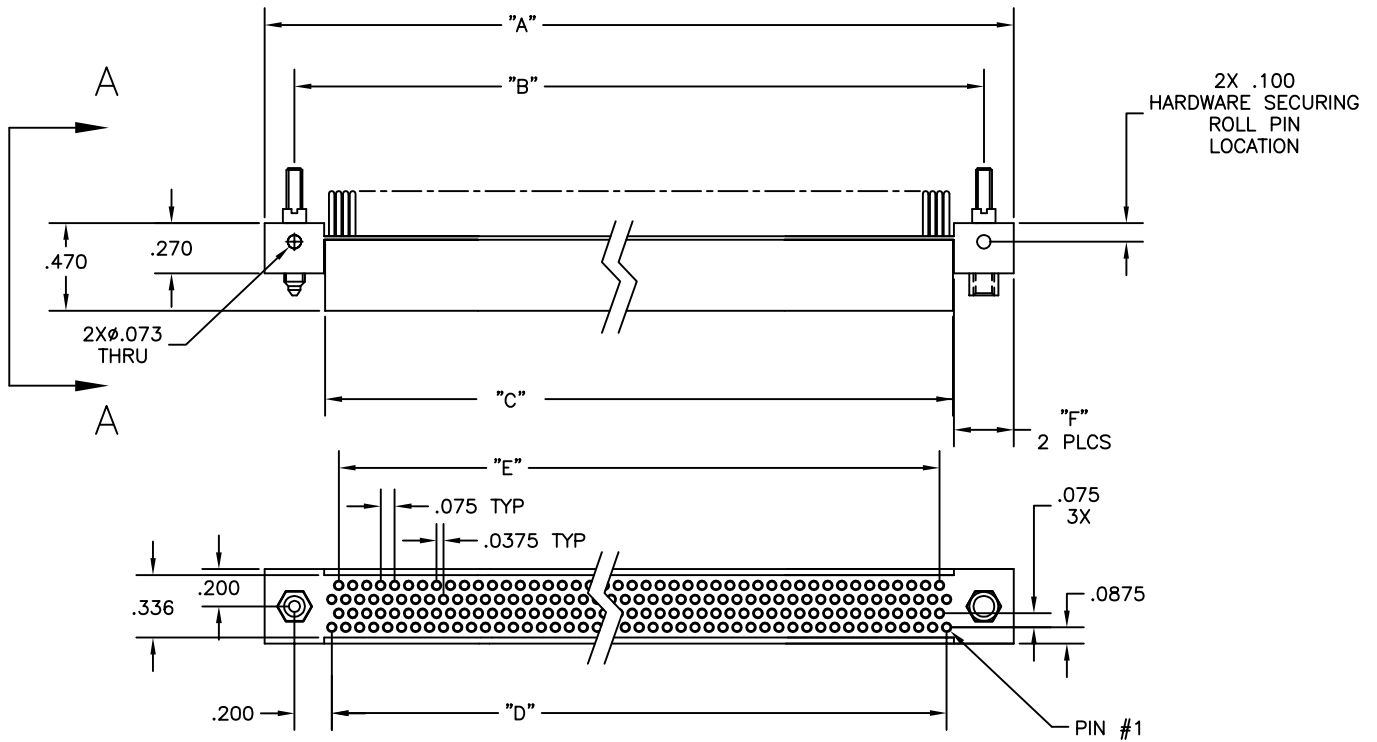
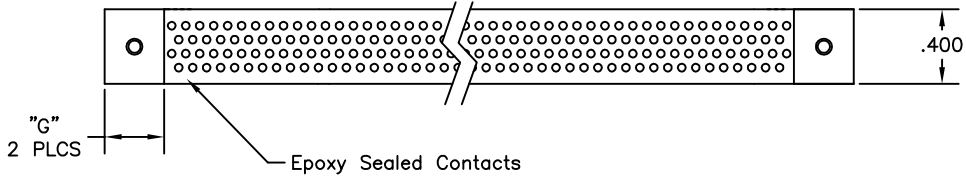
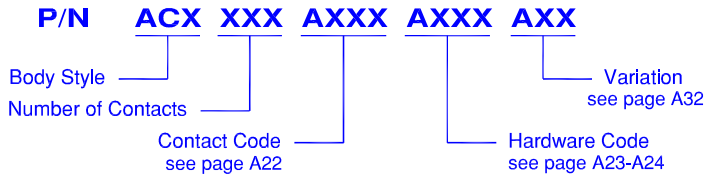
| NO. OF CONTACTS | "A"   | "B"   | "C"   | "D"   | "E"   |
|-----------------|-------|-------|-------|-------|-------|
| 86              | 2.295 | 1.975 | 1.675 | 1.575 | 1.500 |
| 110             | 2.745 | 2.425 | 2.125 | 2.025 | 1.950 |
| 250             | 5.370 | 5.050 | 4.750 | 4.650 | 4.575 |

MATING CONNECTORS:

ACW, ACX  
ACY



# .075 SERIES 4 ROW STRAIGHT PLUG w/o MOUNTING TABS



| NO. OF POSITIONS | "A"   | "B"   | "C"   | "D"   | "E"   | "F"  | "G"  |
|------------------|-------|-------|-------|-------|-------|------|------|
| 86               | 2.255 | 1.975 | 1.650 | 1.575 | 1.500 | .300 | .280 |
| 110              | 2.745 | 2.425 | 2.100 | 2.025 | 1.950 | .320 | .320 |
| 250              | 5.370 | 5.050 | 4.725 | 4.650 | 4.575 | .320 | .320 |

MATING CONNECTOR:

AAL

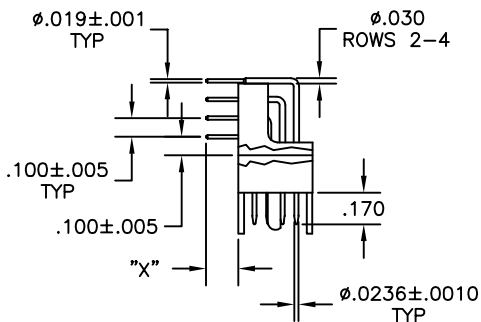
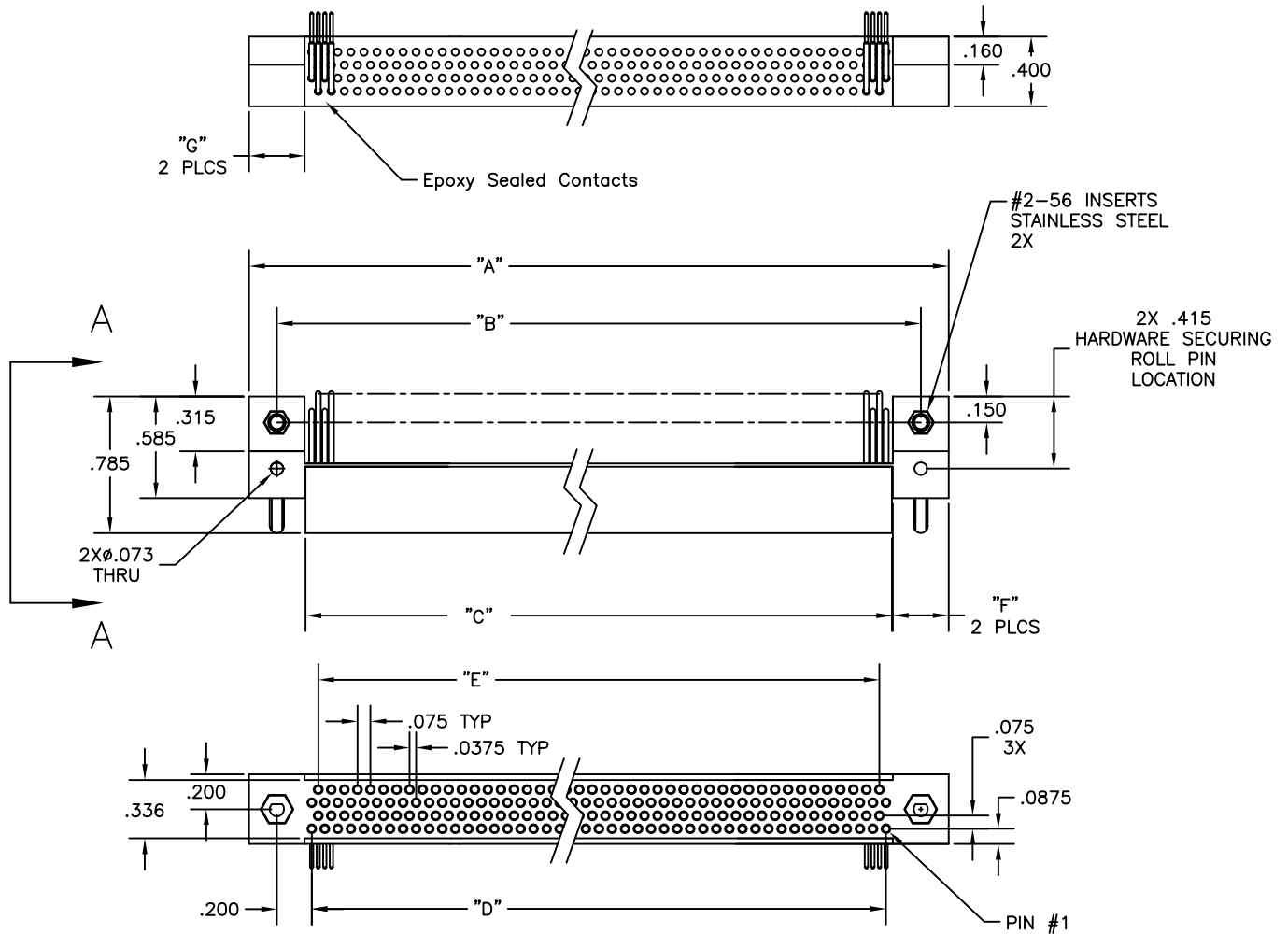
VIEW A-A



# .075 SERIES 4 ROW RIGHT ANGLE PLUG

**P/N    ACW    XXX    AXXX    AXXX    AXX**

Body Style ———— Variation  
 Number of Contacts ———— see page A32  
 Contact Code ———— see page A22      Hardware Code ———— see page A23 - A24



| NO. OF POSITIONS | "A"   | "B"   | "C"   | "D"   | "E"   | "F"  | "G"  |
|------------------|-------|-------|-------|-------|-------|------|------|
| 86               | 2.255 | 1.975 | 1.650 | 1.575 | 1.500 | .300 | .280 |
| 110              | 2.745 | 2.425 | 2.100 | 2.025 | 1.950 | .320 | .320 |
| 250              | 5.370 | 5.050 | 4.725 | 4.650 | 4.575 | .320 | .320 |

MATING CONNECTOR:

AAL

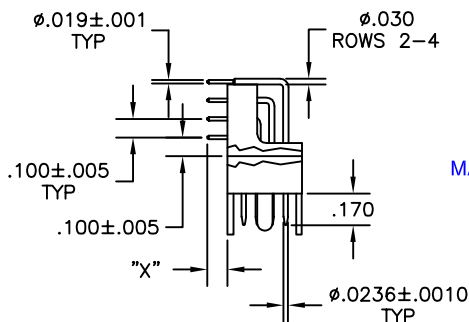
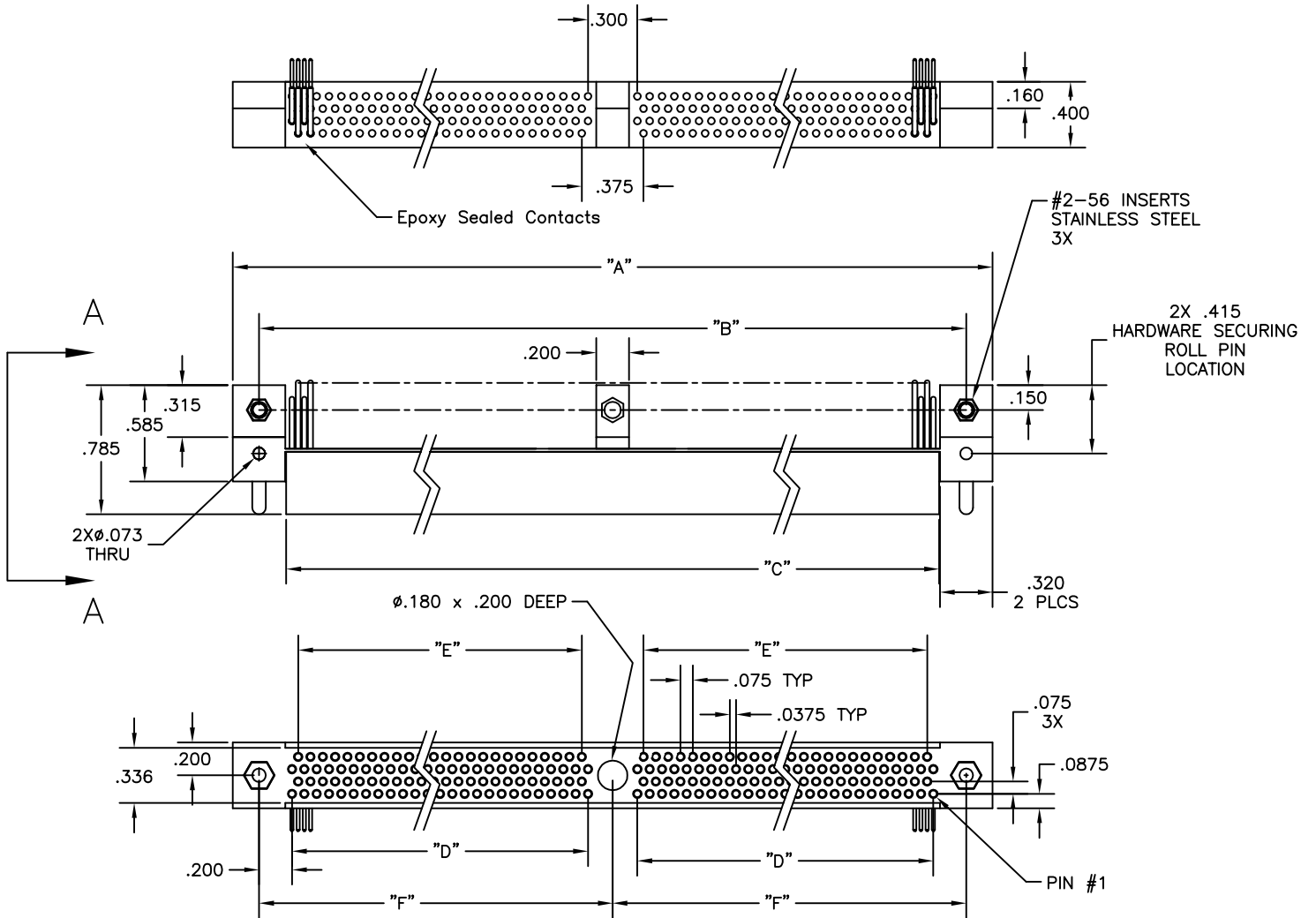
# .075 SERIES 4 ROW RIGHT ANGLE PLUG

**P/N ACW XXX AXXX AXXX AXX**

Body Style ————  
 Number of Contacts ————  
 Contact Code ————  
 see page A22

Variation ————  
 see page A32

Hardware Code ————  
 see page A23 - A24



MATING CONNECTOR:

AAL

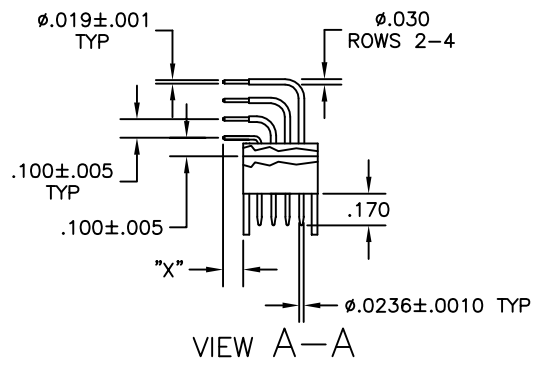
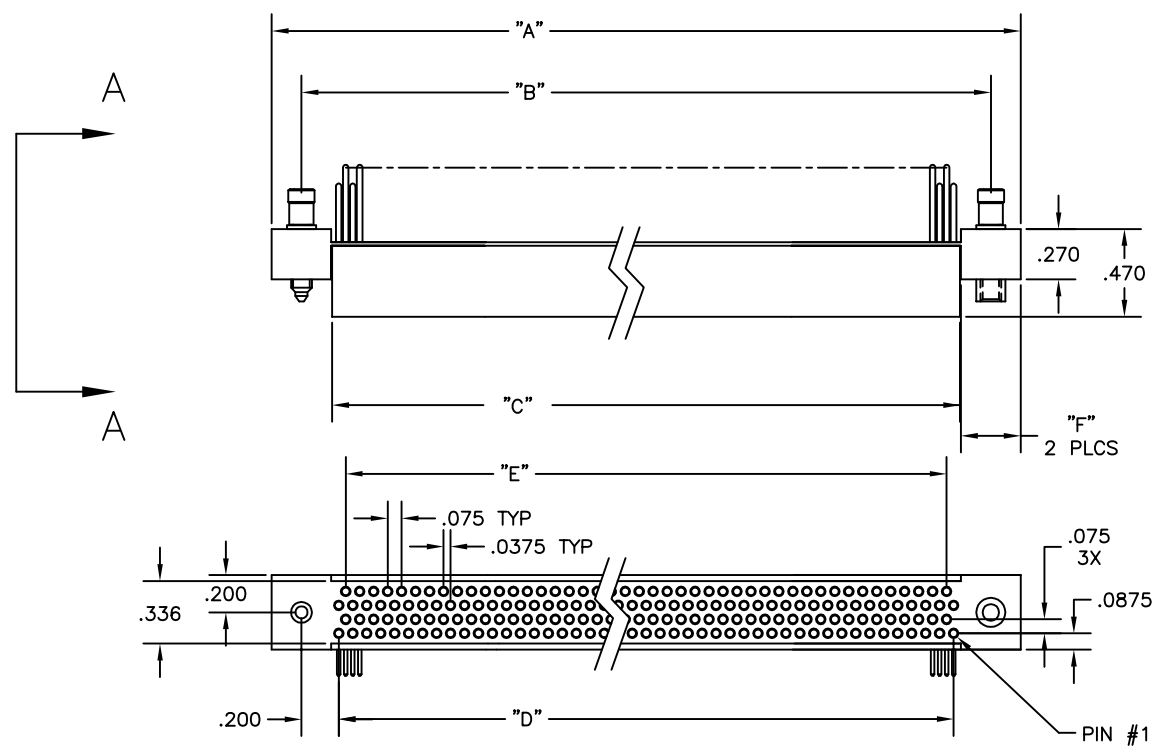
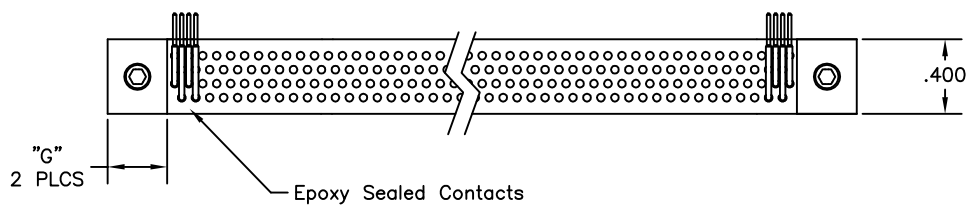
| NO. OF CONTACTS | "A"   | "B"   | "C"   | "D"   | "E"   | "F"   |
|-----------------|-------|-------|-------|-------|-------|-------|
| 164             | 4.020 | 3.700 | 3.375 | 1.500 | 1.425 | 1.850 |
| 196             | 4.620 | 4.300 | 3.975 | 1.800 | 1.725 | 2.150 |
| 204             | 4.770 | 4.450 | 4.125 | 1.875 | 1.800 | 2.225 |
| 220             | 5.070 | 4.750 | 4.425 | 2.025 | 1.950 | 2.375 |
| 276             | 6.120 | 5.800 | 5.475 | 2.550 | 2.475 | 2.900 |
| 300             | 6.570 | 6.250 | 5.925 | 2.775 | 2.700 | 3.125 |
| 404             | 8.520 | 8.200 | 7.875 | 3.750 | 3.675 | 4.100 |

VIEW A-A

# .075 SERIES 4 ROW RIGHT ANGLE PLUG

**P/N    ACY    XXX    AXXX    AXXX    AXX**

Body Style ——— ACY  
 Number of Contacts ——— XXX  
 Contact Code ——— AXXX  
 Hardware Code ——— AXXX  
 Variation ——— AXX  
see page A22      see page A23      see page A32



| NO. OF POSITIONS | "A"   | "B"   | "C"   | "D"   | "E"   | "F"  | "G"  |
|------------------|-------|-------|-------|-------|-------|------|------|
| 86               | 2.255 | 1.975 | 1.650 | 1.575 | 1.500 | .300 | .280 |
| 110              | 2.745 | 2.425 | 2.100 | 2.025 | 1.950 | .320 | .320 |
| 250              | 5.370 | 5.050 | 4.725 | 4.650 | 4.575 | .320 | .320 |

MATING CONNECTOR:  
AAL

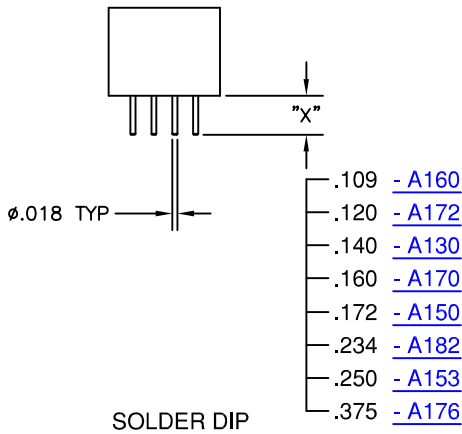




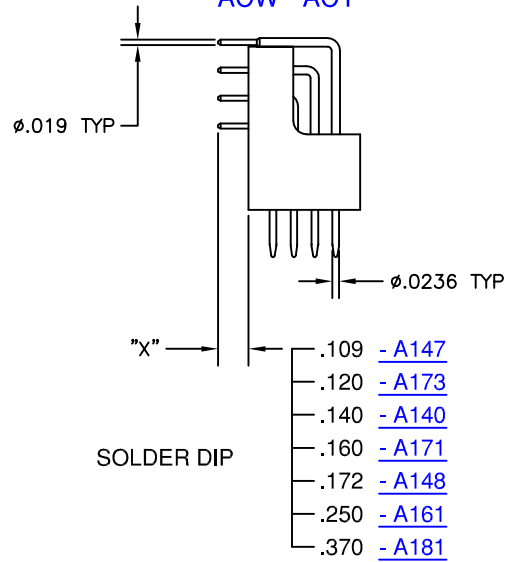
# .075 SERIES 4 ROW CONTACT CODES

**AAL - ACW - ACX - ACY only**

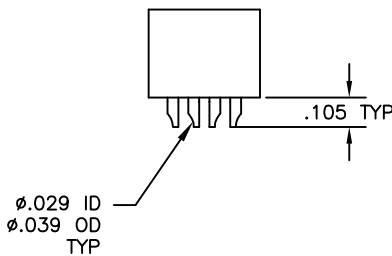
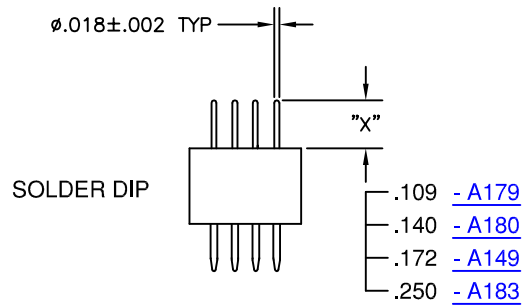
## RECEPTACLE AAL



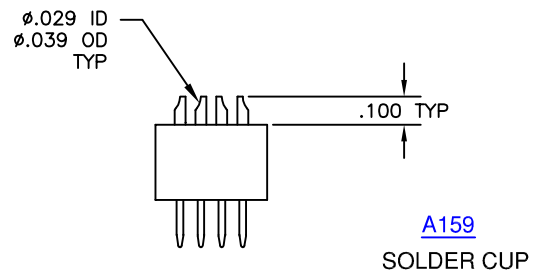
## RIGHT ANGLE PLUG ACW - ACY



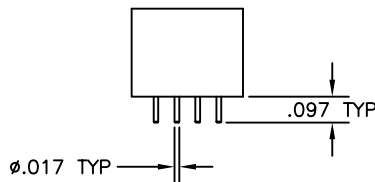
## STRAIGHT PLUG ACX



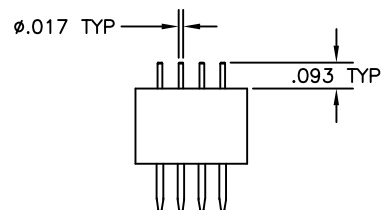
[A061](#)  
SOLDER CUP



[A159](#)  
SOLDER CUP



[A065](#)  
FLEX TERMINATION

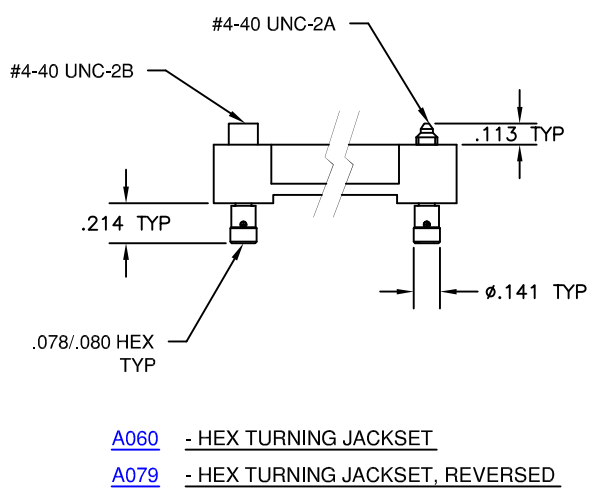
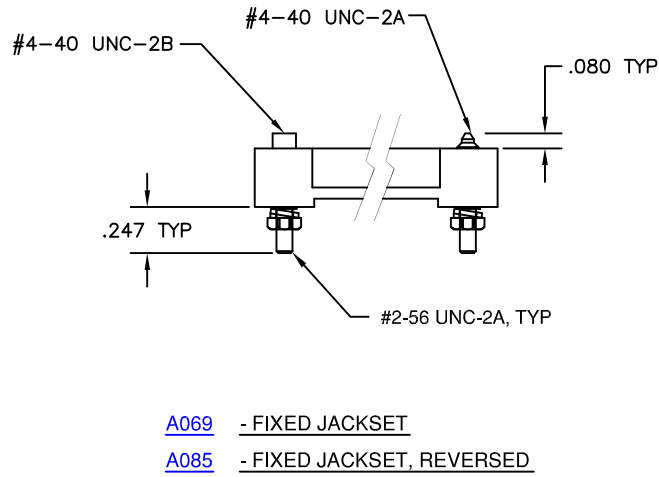
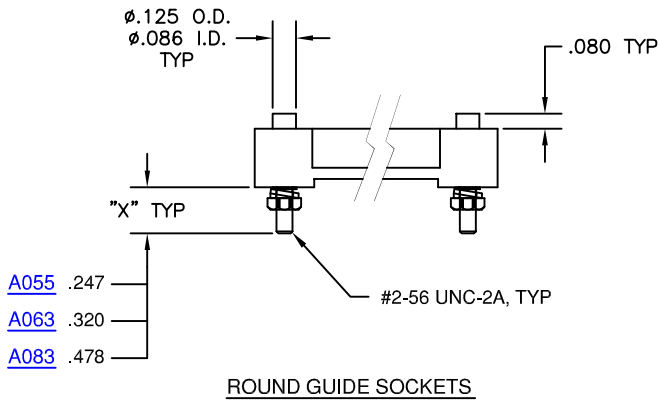


[A165](#)  
FLEX TERMINATION

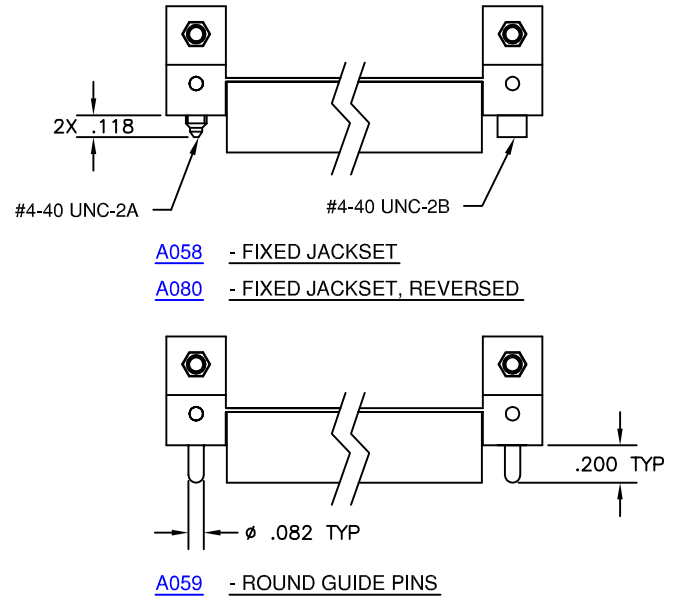
# .075 SERIES 4 ROW HARDWARE CODES

**AAL - ACW - ACX - ACY only**

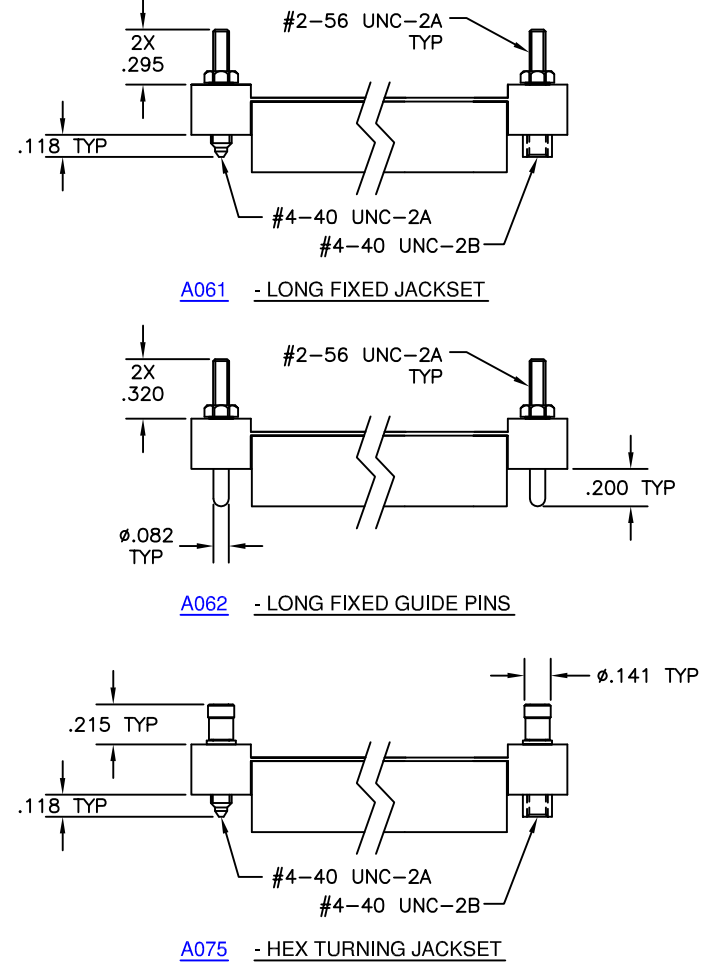
## RECEPTACLE HARDWARE



## PLUG HARDWARE ACW STYLE

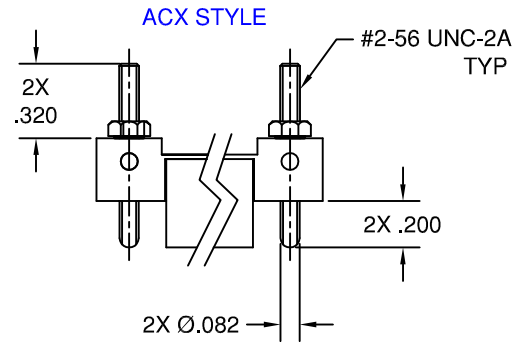
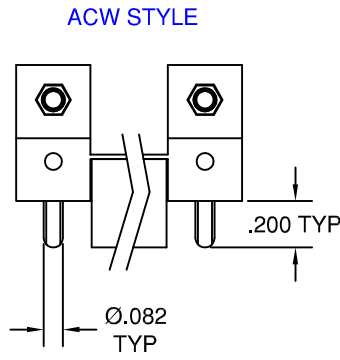
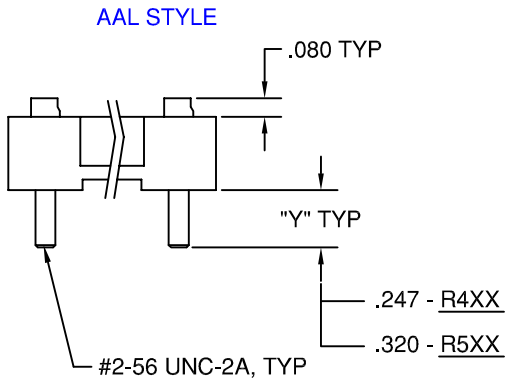


## ACX & ACY STYLES



# .075 SERIES 4 ROW HARDWARE POLARIZATION CODES

## AAL - ACW - ACX only



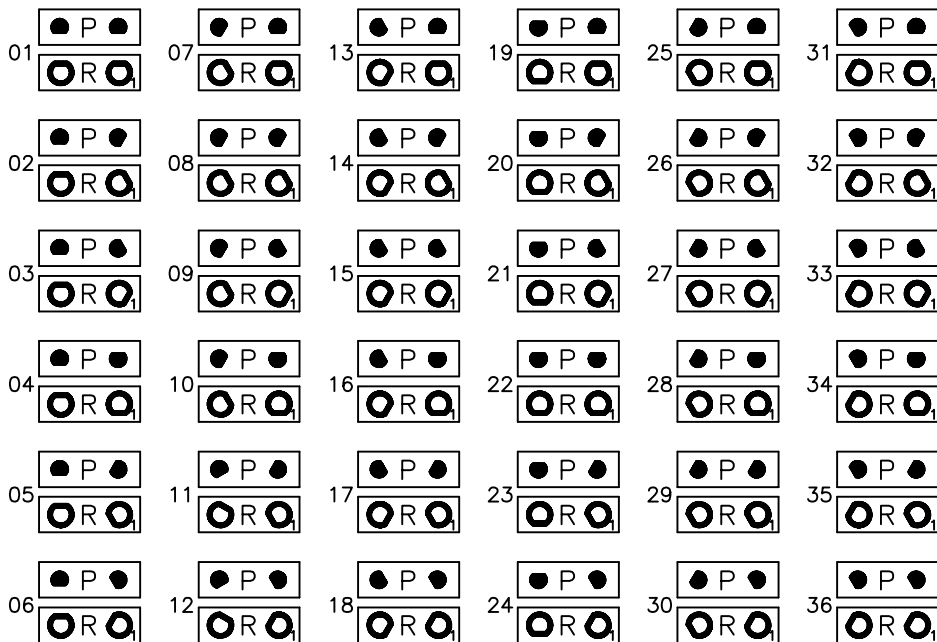
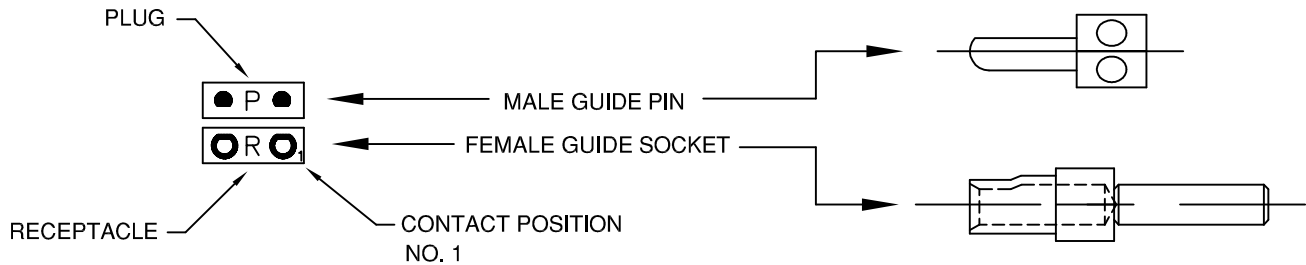
R4XX - GUIDE SOCKETS

R5XX - GUIDE SOCKETS, LONG

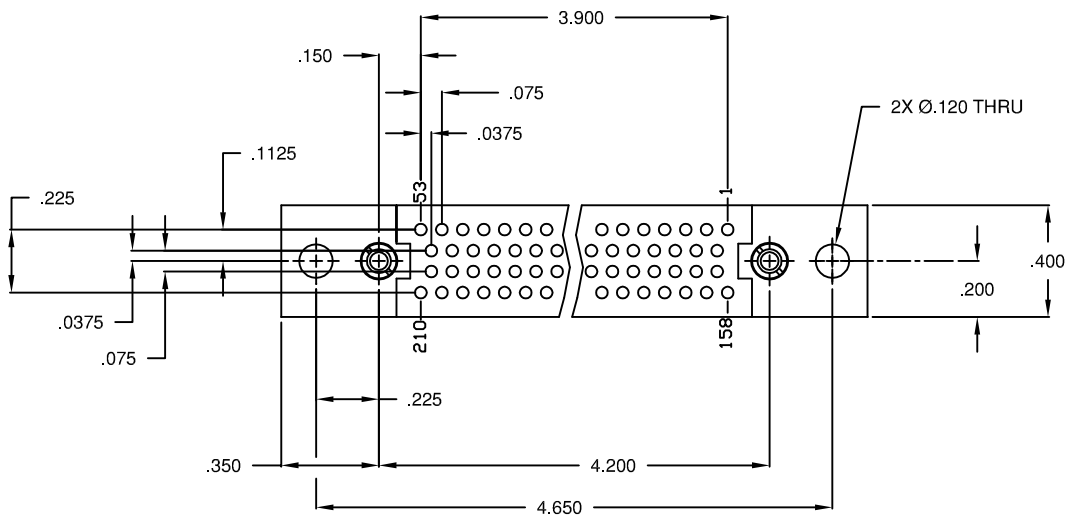
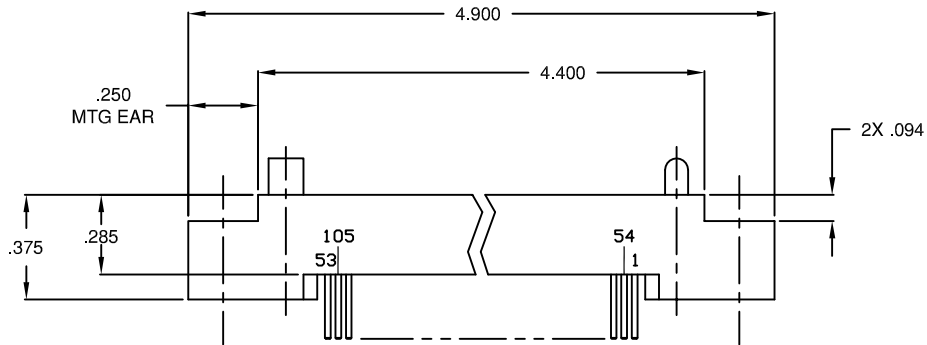
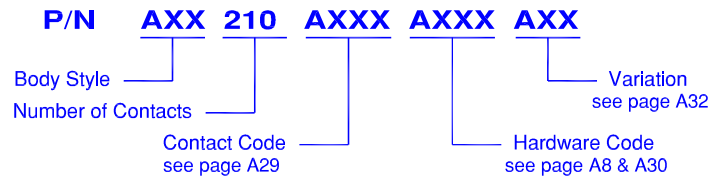
P4XX - GUIDE PINS

P6XX - GUIDE PINS, LONG

SEE POLARIZATION CONFIGURATION CHART BELOW FOR POLARIZATION CODE



# .075 SERIES 4 ROW STRAIGHT PLUG / RECEPTACLE



RECEPTACLE | AAH - AS SHOWN **WITH** MTG EARS  
 | ACH - **WITHOUT** MTG EARS

PLUG | AAK - **WITH** MTG EARS  
 | ACK - **WITHOUT** MTG EARS

**MATING CONNECTORS:**

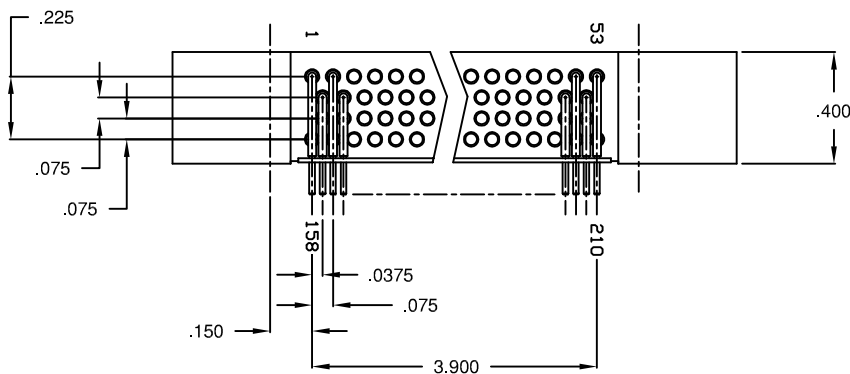
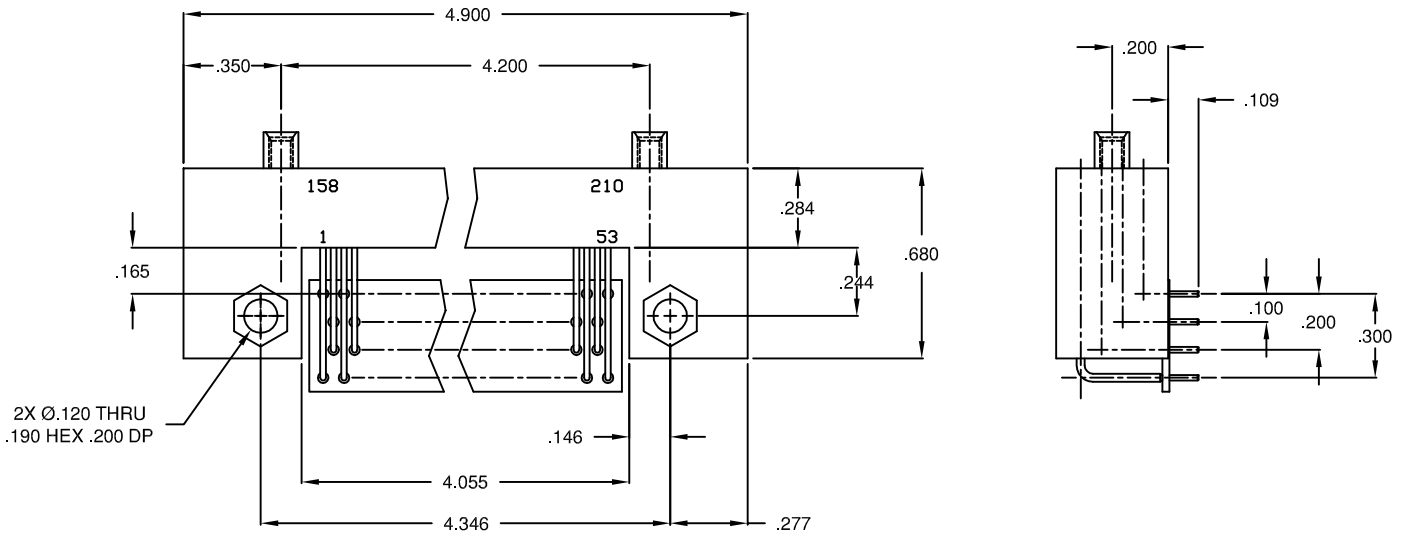
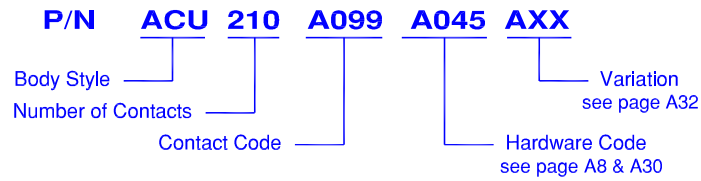
|          |
|----------|
| AAJ, ACJ |
| AAK, ACK |

|          |
|----------|
| AAH, ACH |
| ACL, ACU |





# .075 SERIES 4 ROW RIGHT ANGLE RECEPTACLE



MATING CONNECTORS:

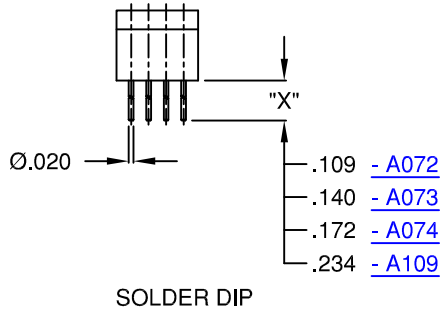
ACU - AS SHOWN **WITH** SPECIAL MTG EARS

|          |
|----------|
| AAJ, AAK |
| ACJ, ACK |

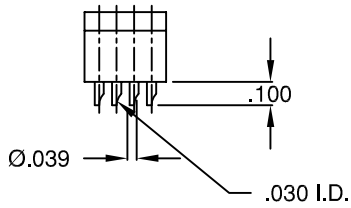
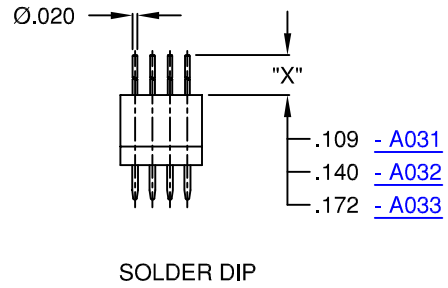
# .075 SERIES 4 ROW CONTACT CODES

AAH - ACH - AAK - ACK, AAJ, ACJ only

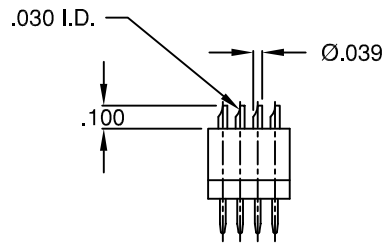
## RECEPTACLE



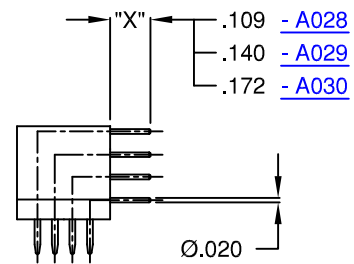
## PLUG



A071  
SOLDER CUP



A085  
SOLDER CUP



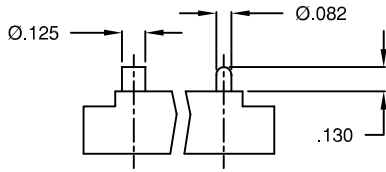
RT ANGLE PLUG  
SOLDER DIP



# .075 SERIES 4 ROW HARDWARE CODES

AAH - ACH - AAK - ACK, AAJ, ACJ only

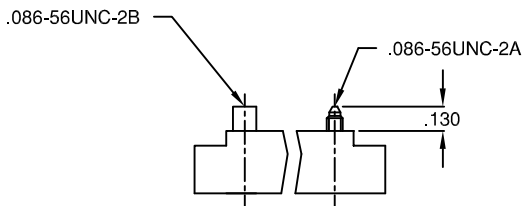
## GUIDE SETS



**A006** - GUIDE SET  
FIGURE #1

| CODE | FIGURE NO. | HARDWARE DESCRIPTION |
|------|------------|----------------------|
| A000 |            | NO HARDWARE          |
| A006 | 1          | GUIDE SET            |
| A033 |            | TWO GUIDE SOCKETS    |
| A034 |            | TWO GUIDE PINS       |
| A037 |            | GUIDE SET, REVERSED  |

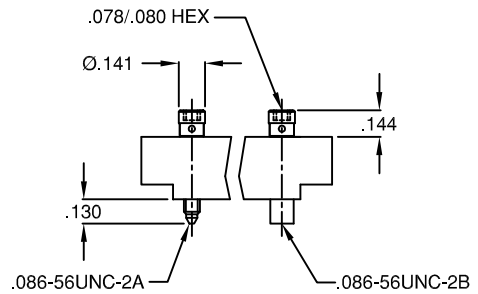
## FIXED JACKSETS



**A005** - FIXED JACKSET  
FIGURE #1

| CODE | FIGURE NO. | HARDWARE DESCRIPTION   |
|------|------------|------------------------|
| A000 |            | NO HARDWARE            |
| A005 | 1          | FIXED JACKSET          |
| A018 |            | FIXED JACKSET REVERSED |
| A026 |            | TWO FIXED JACKSCREWS   |
| A027 |            | TWO FIXED JACKSOCKETS  |

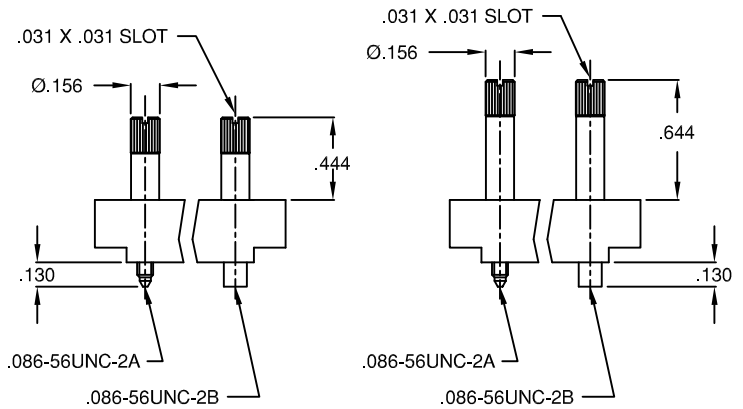
## TURNING HEX JACKSETS



**A019** - SHORT TURNING  
HEX JACKSET  
FIGURE #1

| CODE | FIG NO. | HARDWARE DESCRIPTION                | KNOB LENGTH |
|------|---------|-------------------------------------|-------------|
| A000 |         | NO HARDWARE                         |             |
| A019 | 1       | SHORT TURNING HEX JACKSET           | .144        |
| A020 |         | SHORT TURNING HEX JACKSET, REVERSED | .144        |

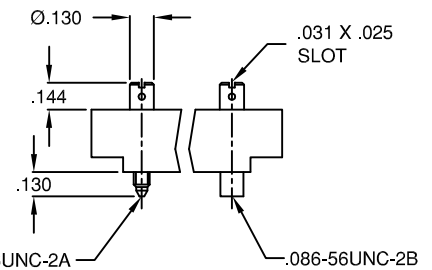
## SLOTTED TURNING JACKSETS



**A008** - TURNING SLOTTED  
JACKSET  
FIGURE #1

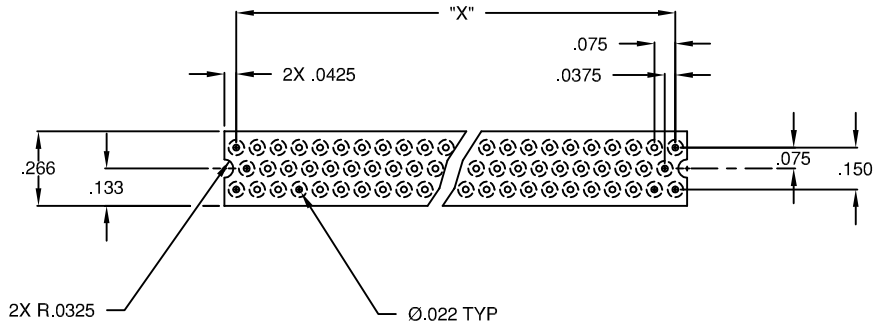
**A004** - TURNING SLOTTED  
JACKSET  
FIGURE #2

**A021** - TURNING JACKSET  
FIGURE #3



| CODE | FIG NO. | HARDWARE DESCRIPTION              | KNOB LENGTH |
|------|---------|-----------------------------------|-------------|
| A000 |         | NO HARDWARE                       |             |
| A008 | 1       | TURNING SLOTTED JACKSET           | .444        |
| A016 |         | TURNING SLOTTED JACKSET, REVERSED | .644        |
| A004 | 2       | TURNING SLOTTED JACKSET           | .644        |
| A017 |         | TURNING SLOTTED JACKSET, REVERSED | .444        |
| A021 | 3       | TURNING HEX JACKSET               | .144        |
| A022 |         | TURNING JACKSET, REVERSED         | .144        |

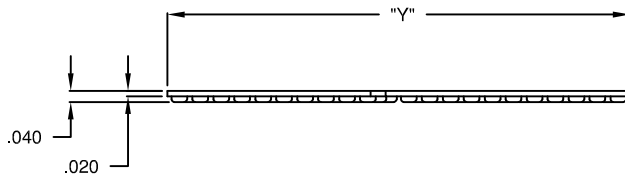
# .075 SERIES 3 & 4 ROW INTERFACIAL SILICONE RUBBER GASKETS



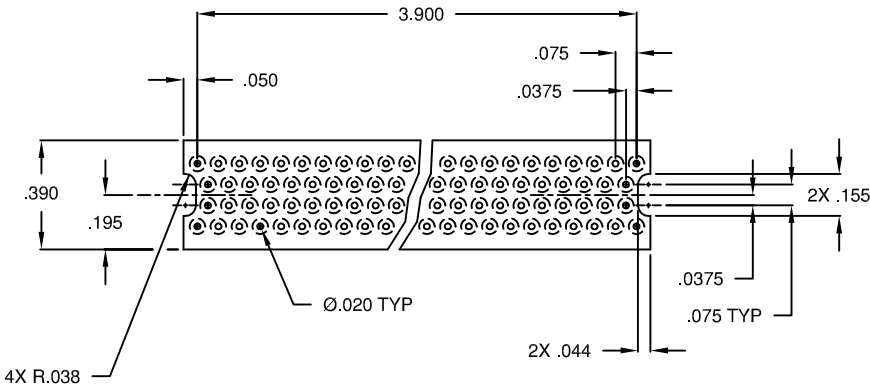
| Dimensions |              |         |       |
|------------|--------------|---------|-------|
| Part No.   | No. of Cnt's | "X" REF | "Y"   |
| R3018-80   | 080          | 1.950   | 2.035 |
| R3018-122  | 122          | 3.000   | 3.085 |
| R3018-152  | 152          | 3.750   | 3.835 |

USED WITH CONNECTORS:

|                           |
|---------------------------|
| AAC, ACC, AAA<br>ACA, ABM |
|---------------------------|

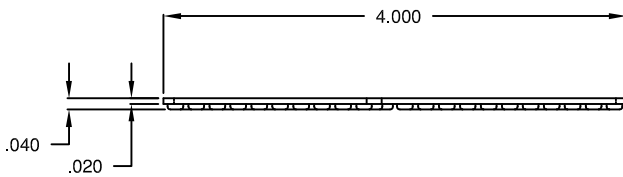


R3018 - 3 ROW GASKET



USED WITH CONNECTORS:

|          |
|----------|
| AAJ, ACJ |
|----------|



R3019 - 4 ROW GASKET

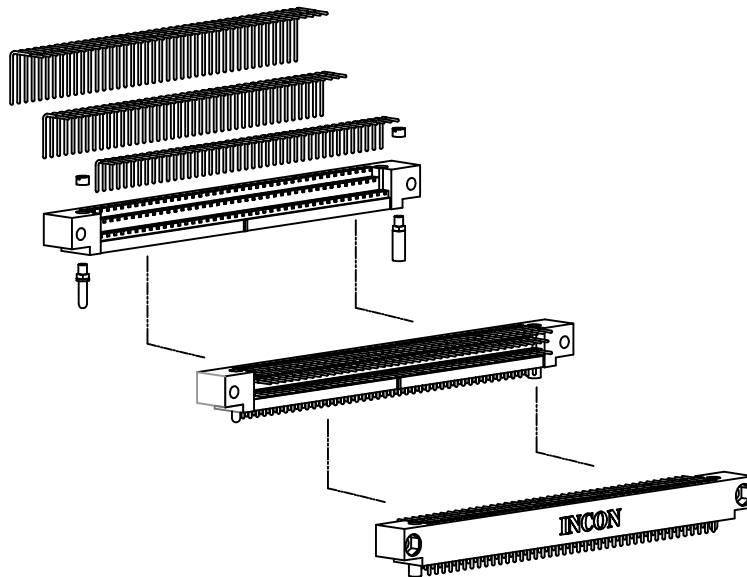
\*GASKET MATERIAL: SILICONE RUBBER PER A-A-59588, NATURAL, CLASS 1B, GRADE 50.\*

# Variations

"F" Series .075" 

| Variation | Description                                 |
|-----------|---|
| A00       | No Variation                                |
| AAA       | Solder Dip Terminations                     |
| AAE       | Epoxy Hex Nuts                              |
| ACB       | Bag Hardware and Solder Dip Terminations    |
| ACC       | Reverse Marking and Solder Dip Terminations |
| ACP       | Bag Hardware                                |
| ACR       | Reverse Marking                             |
| ACW       | Epoxy Hex Nuts and Solder Dip Terminations  |

*\*\*Consult Factory for Special Variations\*\**



## M55302/190

| MILITARY PART NUMBER     | INCON PART NUMBER  |
|--------------------------|--------------------|
| M55302/190L.A****X       | AAD***A061A003A00  |
| M55302/190L.A****Y       | AAD***A061R201A00  |
| M55302/190L.A****Y (-**) | AAD***A061R2***A00 |
| M55302/190L.A****F       | AAD***A061A010A00  |
| M55302/190L.A****S       | AAD***A061A009A00  |
| M55302/190L.A****N       | AAD***A061A014A00  |
| M55302/190L.A****M       | AAD***A061A001A00  |
| M55302/190L.B****X       | AAD***A062A003A00  |
| M55302/190L.B****Y       | AAD***A062R201A00  |
| M55302/190L.B****Y (-**) | AAD***A062R2***A00 |
| M55302/190L.B****F       | AAD***A062A010A00  |
| M55302/190L.B****S       | AAD***A062A009A00  |
| M55302/190L.B****N       | AAD***A062A014A00  |
| M55302/190L.B****M       | AAD***A062A011A00  |
| M55302/190L.C****M       | AAD***A062A001A00  |
| M55302/190L.C****X       | AAD***A063A003A00  |
| M55302/190L.C****Y       | AAD***A063R201A00  |
| M55302/190L.C****Y (-**) | AAD***A063R2***A00 |
| M55302/190L.C****F       | AAD***A063A010A00  |
| M55302/190L.C****S       | AAD***A063A009A00  |
| M55302/190L.C****N       | AAD***A063A014A00  |
| M55302/190L.C****M       | AAD***A063A011A00  |
| M55302/190L.C****M       | AAD***A063A001A00  |
| M55302/190L.D****X       | AAD***A064A003A00  |
| M55302/190L.D****Y       | AAD***A064R201A00  |
| M55302/190L.D****Y (-**) | AAD***A064R2***A00 |
| M55302/190L.D****F       | AAD***A064A010A00  |
| M55302/190L.D****S       | AAD***A064A009A00  |
| M55302/190L.D****N       | AAD***A064A014A00  |
| M55302/190L.D****M       | AAD***A064A011A00  |
| M55302/190L.D****M       | AAD***A064A001A00  |
| M55302/190L.E****X       | AAD***A065A003A00  |
| M55302/190L.E****Y       | AAD***A065R201A00  |
| M55302/190L.E****Y (-**) | AAD***A065R2***A00 |
| M55302/190L.E****F       | AAD***A065A010A00  |
| M55302/190L.E****S       | AAD***A065A009A00  |
| M55302/190L.E****N       | AAD***A065A014A00  |
| M55302/190L.E****M       | AAD***A065A011A00  |
| M55302/190L.E****M       | AAD***A065A001A00  |

## M55302/191

| MILITARY PART NUMBER   | INCON PART NUMBER  |
|------------------------|--------------------|
| M55302/191A****X       | AAE***A017A003A00  |
| M55302/191A****Y       | AAE***A017P201A00  |
| M55302/191A****Y (-**) | AAE***A017P2***A00 |
| M55302/191A****F       | AAE***A017A010A00  |
| M55302/191A****S       | AAE***A017A009A00  |
| M55302/191A****N       | AAE***A017A014A00  |
| M55302/191A****M       | AAE***A017A001A00  |
| M55302/191B****X       | AAE***A018A003A00  |
| M55302/191B****Y       | AAE***A018P201A00  |
| M55302/191B****Y (-**) | AAE***A018P2***A00 |
| M55302/191B****F       | AAE***A018A010A00  |
| M55302/191B****S       | AAE***A018A009A00  |
| M55302/191B****N       | AAE***A018A014A00  |
| M55302/191B****M       | AAE***A018A011A00  |
| M55302/191C****M       | AAE***A018A001A00  |
| M55302/191C****X       | AAE***A019A003A00  |
| M55302/191C****Y       | AAE***A019P201A00  |
| M55302/191C****Y (-**) | AAE***A019P2***A00 |
| M55302/191C****F       | AAE***A019A010A00  |
| M55302/191C****S       | AAE***A019A009A00  |
| M55302/191C****N       | AAE***A019A014A00  |
| M55302/191C****M       | AAE***A019A011A00  |
| M55302/191C****M       | AAE***A019A001A00  |

## M55302/193

| MILITARY PART NUMBER   | INCON PART NUMBER  |
|------------------------|--------------------|
| M55302/193A****X       | AAB***A005A003A00  |
| M55302/193A****Y       | AAB***A005P201A00  |
| M55302/193A****Y (-**) | AAB***A005P2***A00 |
| M55302/193A****F       | AAB***A005A010A00  |
| M55302/193A****S       | AAB***A005A009A00  |
| M55302/193A****N       | AAB***A005A014A00  |
| M55302/193A****M       | AAB***A005A011A00  |
| M55302/193B****X       | AAB***A006A003A00  |
| M55302/193B****Y       | AAB***A006P201A00  |
| M55302/193B****Y (-**) | AAB***A006P2***A00 |
| M55302/193B****F       | AAB***A006A010A00  |
| M55302/193B****S       | AAB***A006A009A00  |
| M55302/193B****N       | AAB***A006A014A00  |
| M55302/193B****M       | AAB***A006A011A00  |
| M55302/193B****M       | AAB***A006A001A00  |
| M55302/193C****X       | AAB***A007A003A00  |
| M55302/193C****Y       | AAB***A007P201A00  |
| M55302/193C****Y (-**) | AAB***A007P2***A00 |
| M55302/193C****F       | AAB***A007A010A00  |
| M55302/193C****S       | AAB***A007A009A00  |
| M55302/193C****N       | AAB***A007A014A00  |
| M55302/193C****M       | AAB***A007A011A00  |
| M55302/193C****M       | AAB***A007A001A00  |

## M55302/192

| MILITARY PART NUMBER     | INCON PART NUMBER  |
|--------------------------|--------------------|
| M55302/192L.A****X       | AAA***A061A003A00  |
| M55302/192L.A****Y       | AAA***A061R201A00  |
| M55302/192L.A****Y (-**) | AAA***A061R2***A00 |
| M55302/192L.A****F       | AAA***A061A010A00  |
| M55302/192L.A****S       | AAA***A061A009A00  |
| M55302/192L.A****N       | AAA***A061A014A00  |
| M55302/192L.A****M       | AAA***A061A001A00  |
| M55302/192L.B****X       | AAA***A062A003A00  |
| M55302/192L.B****Y       | AAA***A062R201A00  |
| M55302/192L.B****Y (-**) | AAA***A062R2***A00 |
| M55302/192L.B****F       | AAA***A062A010A00  |
| M55302/192L.B****S       | AAA***A062A009A00  |
| M55302/192L.B****N       | AAA***A062A014A00  |
| M55302/192L.B****M       | AAA***A062A011A00  |
| M55302/192L.C****M       | AAA***A062A001A00  |
| M55302/192L.C****X       | AAA***A063A003A00  |
| M55302/192L.C****Y       | AAA***A063R201A00  |
| M55302/192L.C****Y (-**) | AAA***A063R2***A00 |
| M55302/192L.C****F       | AAA***A063A010A00  |
| M55302/192L.C****S       | AAA***A063A009A00  |
| M55302/192L.C****N       | AAA***A063A014A00  |
| M55302/192L.C****M       | AAA***A063A011A00  |
| M55302/192L.C****M       | AAA***A063A001A00  |
| M55302/192L.D****X       | AAA***A064A003A00  |
| M55302/192L.D****Y       | AAA***A064R201A00  |
| M55302/192L.D****Y (-**) | AAA***A064R2***A00 |
| M55302/192L.D****F       | AAA***A064A010A00  |
| M55302/192L.D****S       | AAA***A064A009A00  |
| M55302/192L.D****N       | AAA***A064A014A00  |
| M55302/192L.D****M       | AAA***A064A011A00  |
| M55302/192L.D****M       | AAA***A064A001A00  |
| M55302/192L.E****X       | AAA***A065A003A00  |
| M55302/192L.E****Y       | AAA***A065R201A00  |
| M55302/192L.E****Y (-**) | AAA***A065R2***A00 |
| M55302/192L.E****F       | AAA***A065A010A00  |
| M55302/192L.E****S       | AAA***A065A009A00  |
| M55302/192L.E****N       | AAA***A065A014A00  |
| M55302/192L.E****M       | AAA***A065A011A00  |
| M55302/192L.E****M       | AAA***A065A001A00  |

# INCON Inc.

## MIL-DTL-55302 Cross Reference

- NOTES:
- FOR /190 & /191, \*\*\*\* INDICATES NUMBER OF PIN COUNTS, 10 THRU 100.
  - FOR /192 & /193, \*\*\*\* INDICATES NUMBER OF PIN COUNTS, 122 & 152 ONLY.
  - (\*\*\*) INDICATES THE POLARIZATION FROM 00 TO 64.

21 Flagstone Drive Hudson, New Hampshire 03051  
 Phone 603-595-0550 Fax 603-595-0555  
 Email: [techsupport@inconconnector.com](mailto:techsupport@inconconnector.com)  
 Web Address: [www.inconconnector.com](http://www.inconconnector.com)